



Description

The TD851 series combine an AlGaAs infrared emitting diode as the emitter which is optically coupled to a silicon planar high voltage phototransistor detector in a plastic DIP4 package with different lead forming options. With the robust coplanar double mold structure, TD851 series provide the most stable isolation feature.

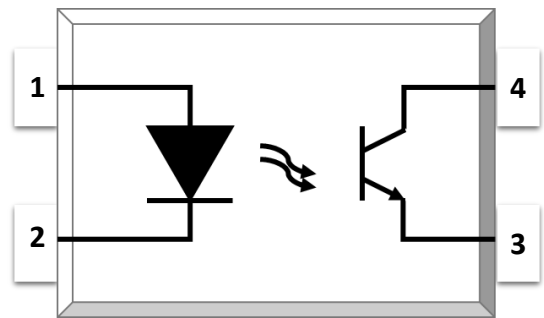
Features

- High isolation 5000 VRMS
- DC input with transistor output
- Operating temperature range - 55 °C to 110 °C
- REACH compliance
- Halogen free
- MSL class 1
- Regulatory Approvals
 - UL - UL1577
 - VDE - EN60747-5-5(VDE0884-5)
 - CQC – GB4943.1, GB8898

Applications

- Switch mode power supplies
- Programmable controllers
- Household appliances
- Office equipment

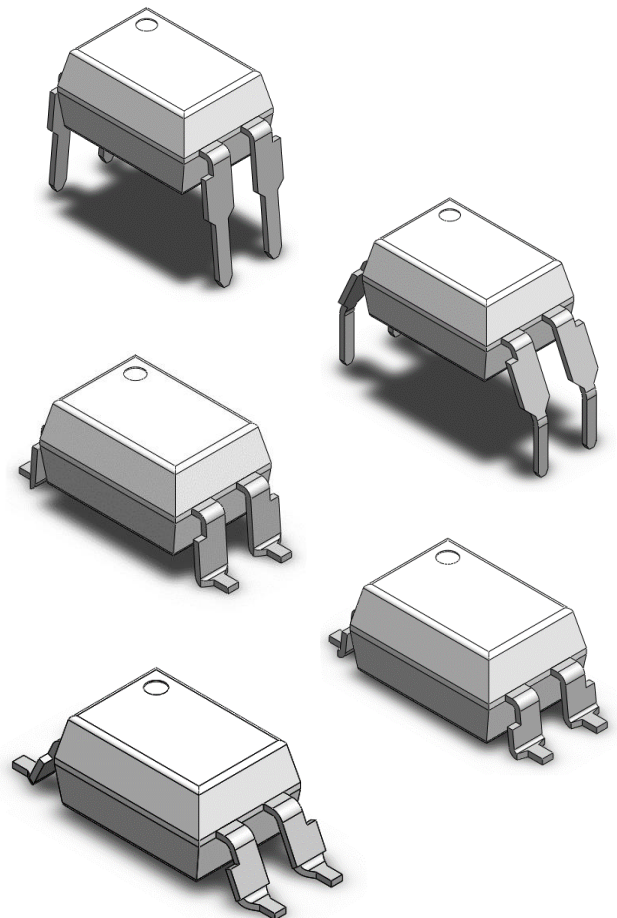
SCHEMATIC



PIN DEFINITION

1. Anode
2. Cathode
3. Emitter
4. Collector

PACKAGE OUTLINE





ABSOLUTE MAXIMUM RATINGS

PARAMETER	SYMBOL	VALUE	UNIT	NOTE
INPUT				
Forward Current	I _F	60	mA	
Peak Forward Current	I _{FP}	1	A	1
Reverse Voltage	V _R	6	V	
Input Power Dissipation	P _I	100	mW	
OUTPUT				
Collector - Emitter Voltage	V _{CEO}	350	V	
Emitter - Collector Voltage	V _{ECO}	7	V	
Collector Current	I _C	50	mA	
Output Power Dissipation	P _O	150	mW	
COMMON				
Total Power Dissipation	P _{tot}	200	mW	
Isolation Voltage	V _{iso}	5000	V _{rms}	2
Operating Temperature	T _{opr}	-55~110	°C	
Storage Temperature	T _{stg}	-55~125	°C	
Soldering Temperature	T _{sol}	260	°C	

Note 1. 100µs pulse, 100Hz frequency

Note 2. AC For 1 Minute, R.H. = 40 ~ 60%



ELECTRICAL OPTICAL CHARACTERISTICS at Ta=25°C								
PARAMETER	SYMBOL	MIN	TYP.	MAX.	UNIT	TEST CONDITION	NOTE	
INPUT								
Forward Voltage	V _F	-	1.24	1.4	V	IF=10mA		
Reverse Current	I _R	-	-	10	μA	VR=6V		
Input Capacitance	C _{in}	-	10	-	pF	V=0, f=1kHz		
OUTPUT								
Collector Dark Current	I _{CEO}	-	-	100	nA	VCE=200V, IF=0		
Collector-Emitter Breakdown Voltage	BV _{CEO}	350	-	-	V	IC=0.1mA, IF=0		
Emitter-Collector Breakdown Voltage	BV _{ECO}	7	-	-	V	IE=0.1mA, IF=0		
TRANSFER CHARACTERISTICS								
Current Transfer Ratio	TD851	CTR	50	-	600	%	IF=5mA, VCE=5V	
Collector-Emitter Saturation Voltage		V _{CE(sat)}	-	0.055	0.4	V	IF=20mA, IC=1mA	
Isolation Resistance		R _{ISO}	10 ¹²	10 ¹⁴	-	Ω	DC500V, 40 ~ 60% R.H.	
Floating Capacitance		C _{IO}	-	0.6	1	pF	V=0, f=1MHz	
Cut-off Frequency		f _c	-	80	-	kHz	VCE=2V, IC=2mA RL=100Ω, -3dB	4
Response Time (Rise)		t _r	-	3	18	μs	VCE=2V, IC=2mA	3
Response Time (Fall)		t _f	-	5	18	μs	RL=100Ω	3

Note 3. Fig.12&13

Note 4. Fig.14



CHARACTERISTIC CURVES

Fig.1 Forward Current vs. Ambient Temperature

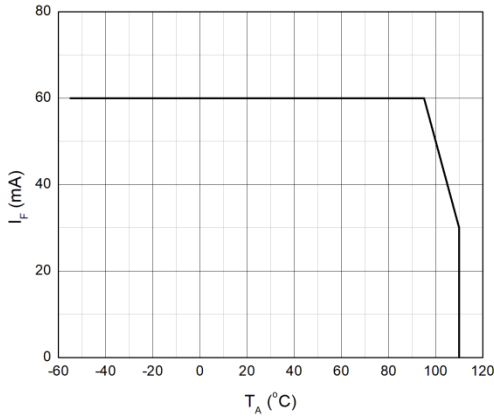


Fig.2 Collector Power Dissipation vs. Ambient Temperature

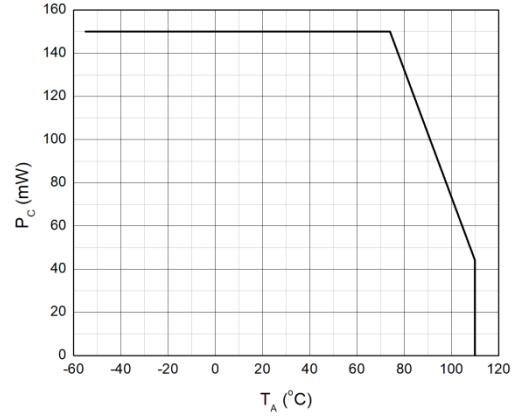


Fig.3 Forward Current vs. Forward Voltage

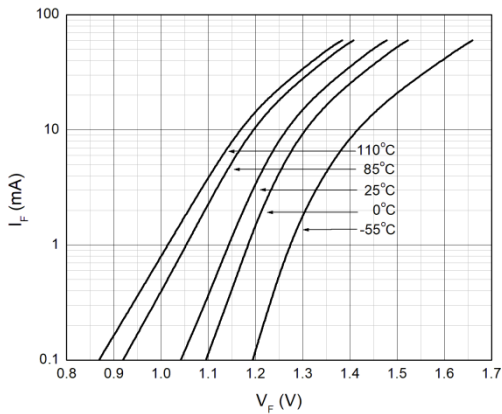


Fig.4 Collector Dark Current vs. Ambient Temperature

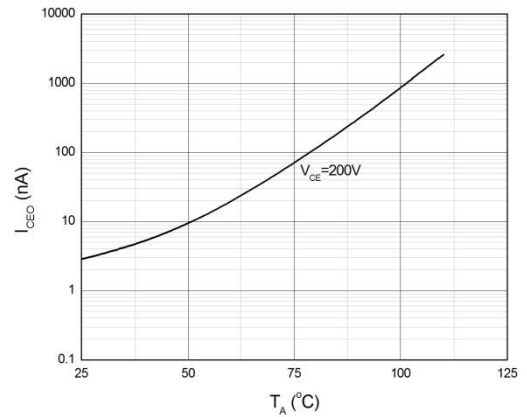


Fig.5 Collector Current vs. Collector-emitter Voltage

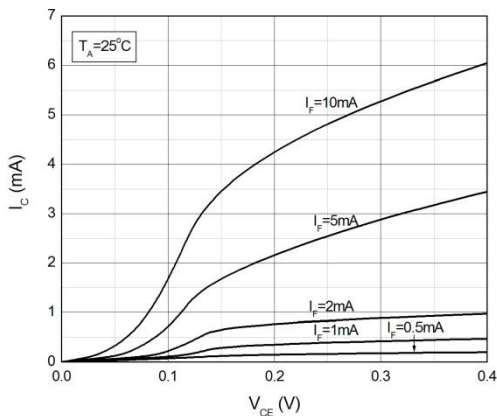
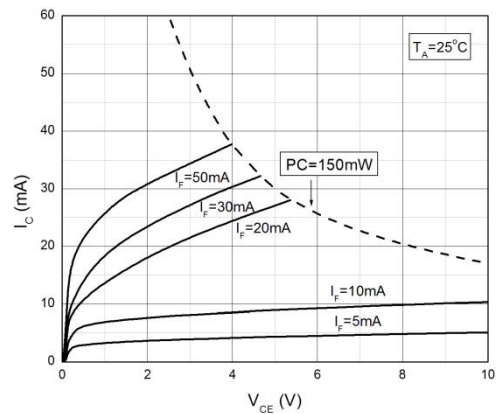


Fig.6 Collector Current vs. Collector-emitter Voltage





CHARACTERISTIC CURVES

Fig.7 Normalized Current Transfer Ratio vs. Forward Current

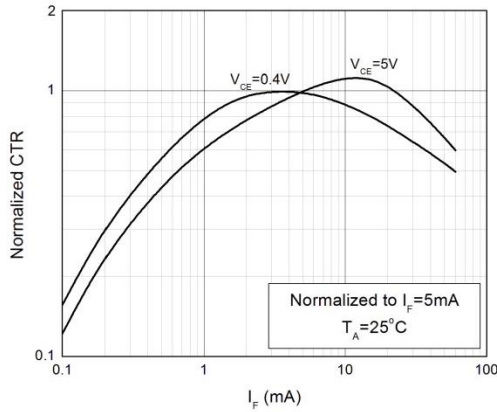


Fig.8 Normalized Current Transfer Ratio vs. Ambient Temperature

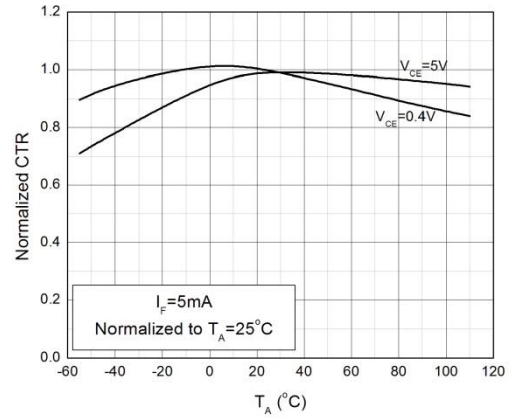


Fig.9 Collector-emitter Saturation Voltage vs. Ambient Temperature

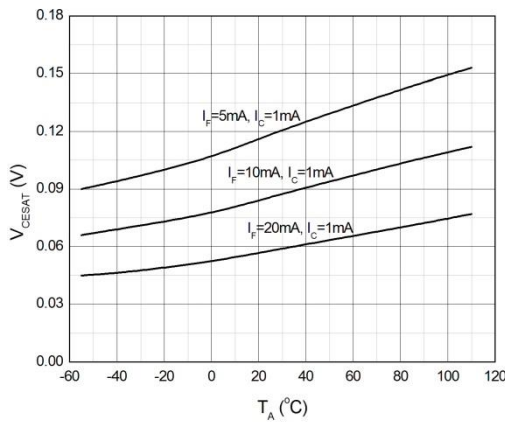


Fig.10 Switching Time vs. Load Resistance

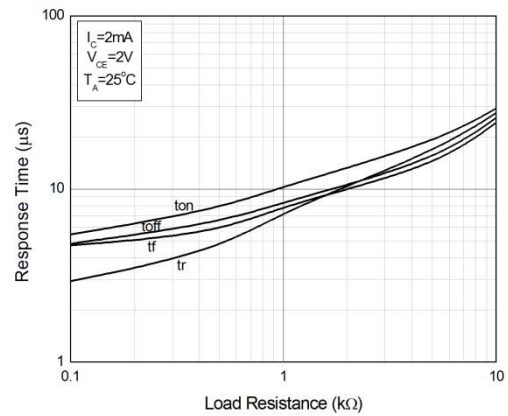
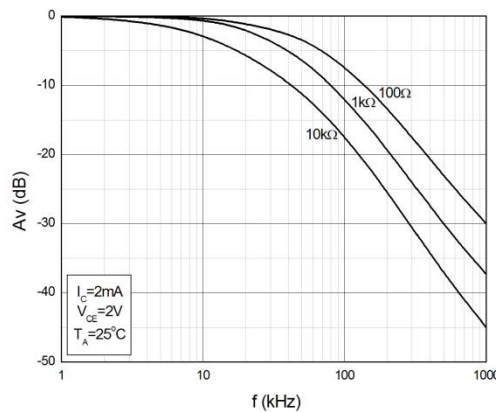


Fig.11 Frequency Response



TEST CIRCUITS

Fig.12 Test Circuits of Response Time

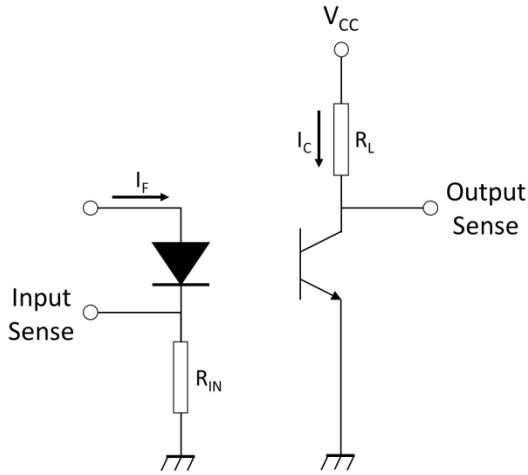


Fig.13 Curves of Response Time

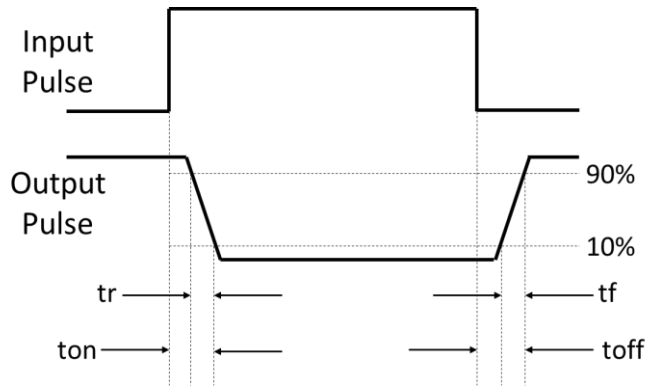
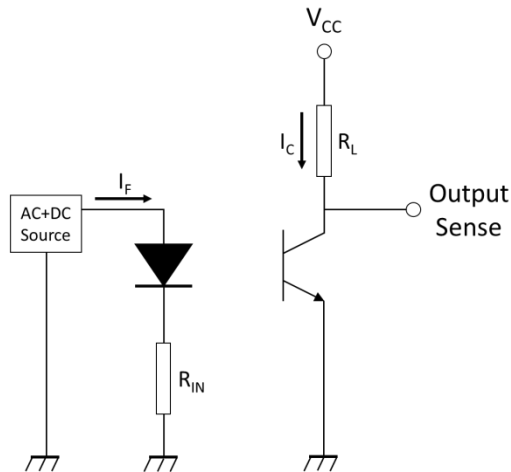
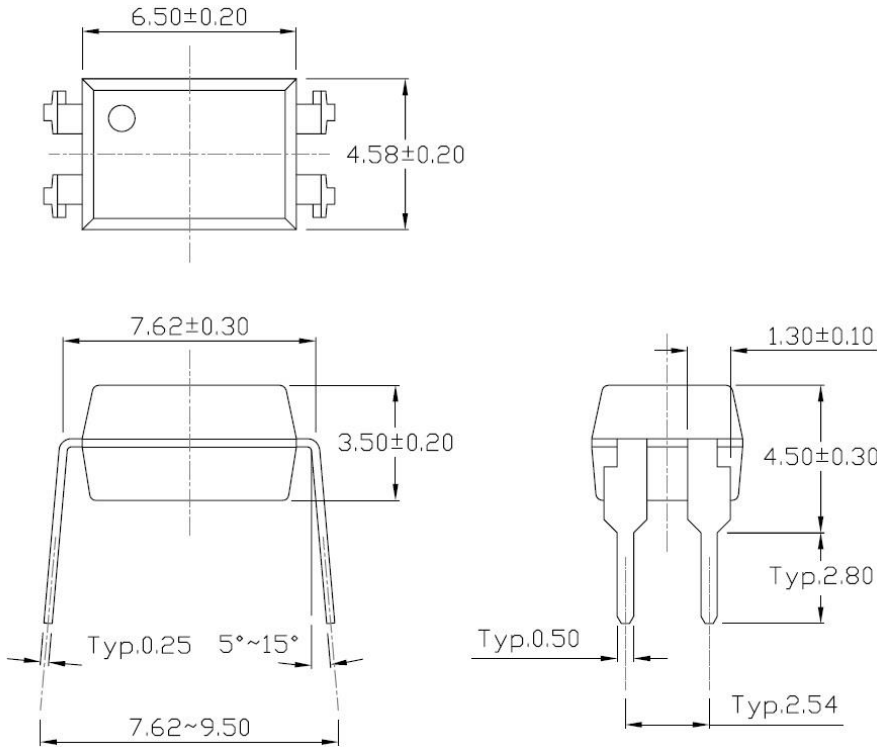


Fig.14 Test Circuits of Frequency Response

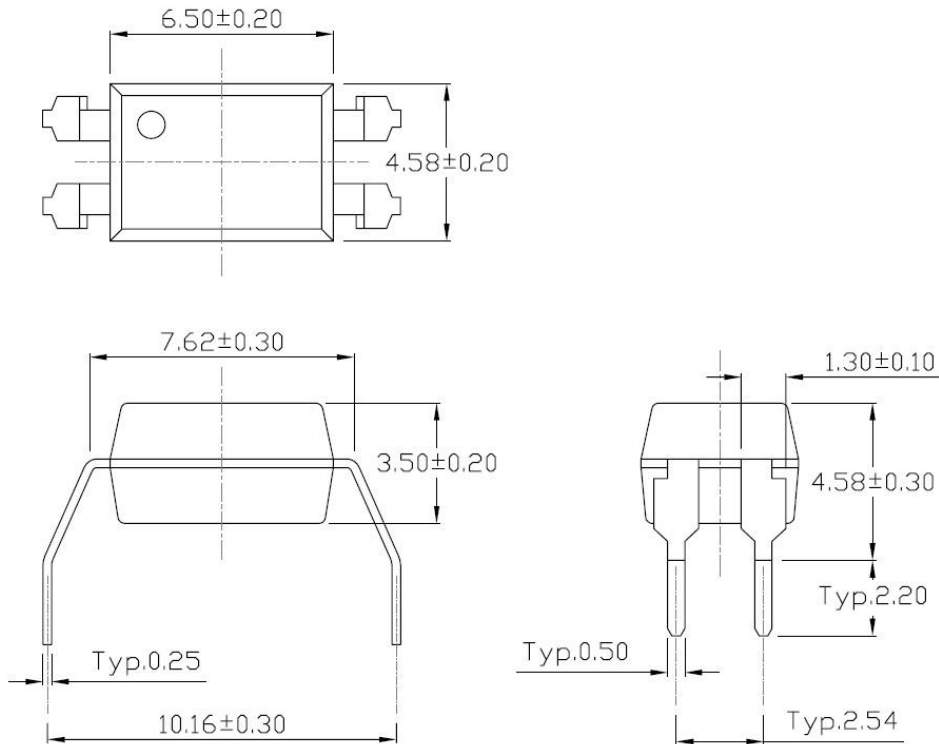


PACKAGE DIMENSIONS (Dimensions in mm unless otherwise stated)

Standard DIP – Through Hole (DIP Type)

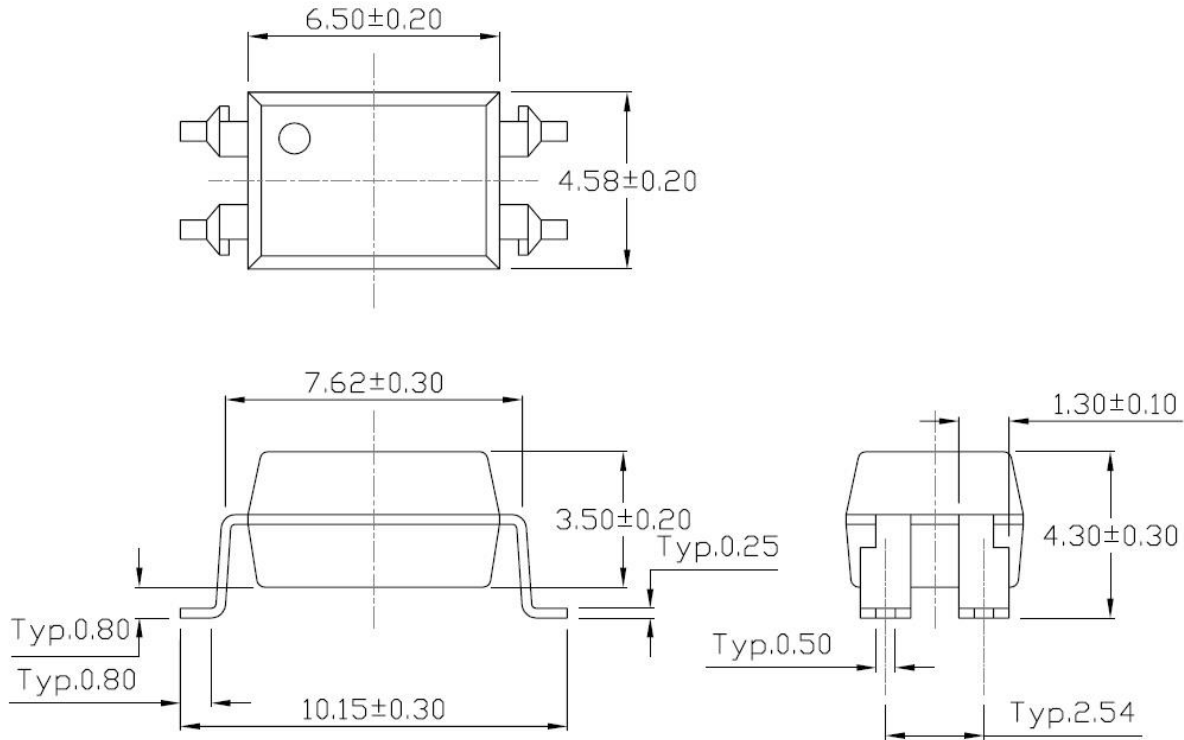


Gullwing (400mil) Lead Forming – Through Hole (M Type)

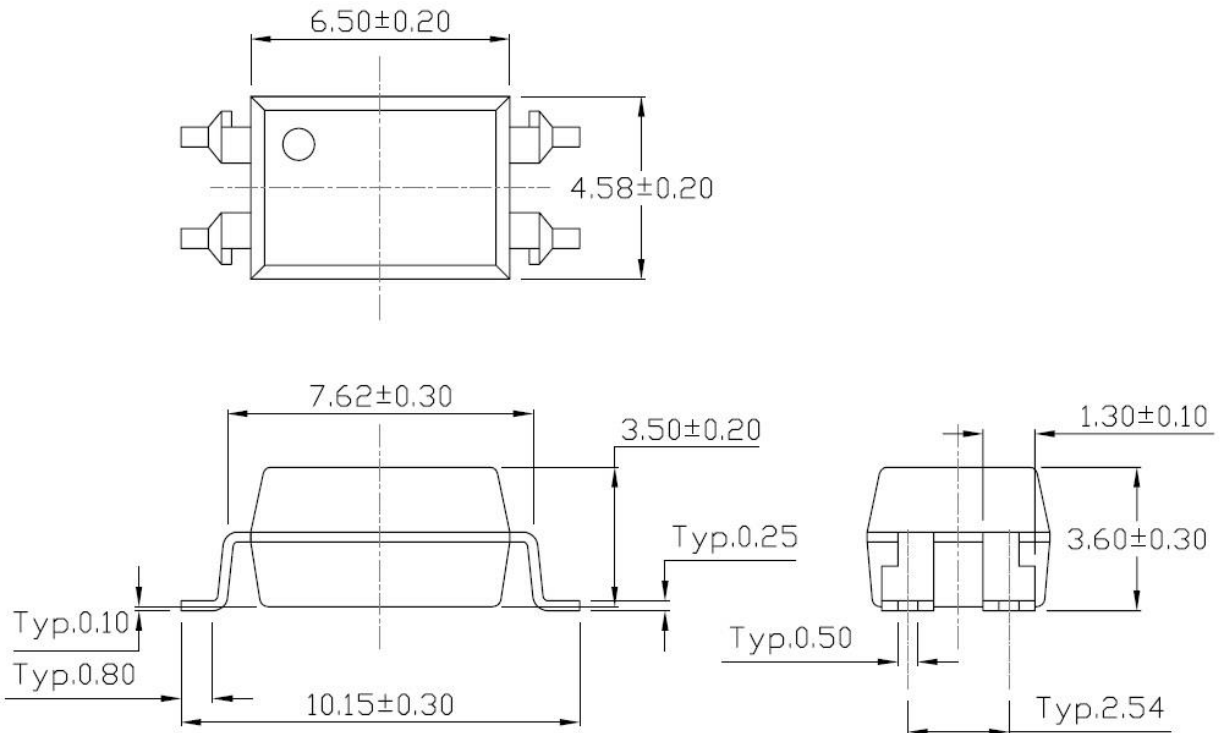


PACKAGE DIMENSIONS (Dimensions in mm unless otherwise stated)

Surface Mount Lead Forming (S Type)

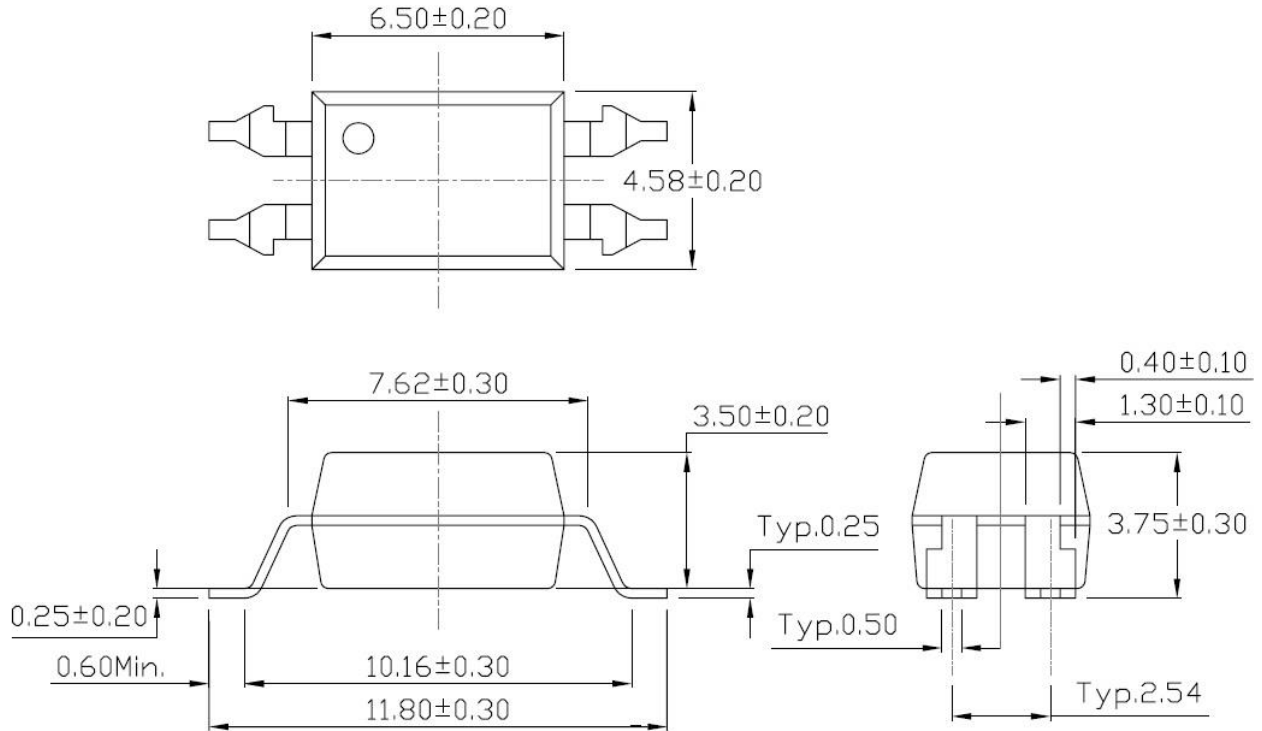


Surface Mount (Low Profile) Lead Forming (SL Type)



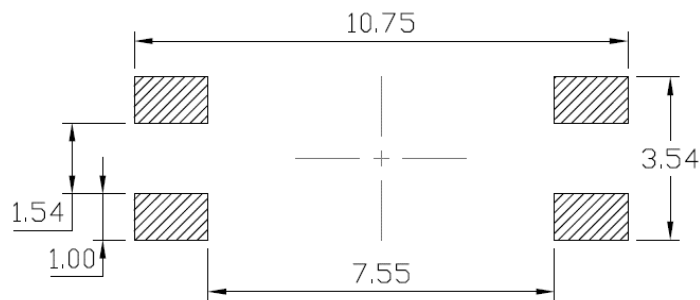
PACKAGE DIMENSIONS (Dimensions in mm unless otherwise stated)

Surface Mount (Gullwing) Lead Forming (SLM Type)

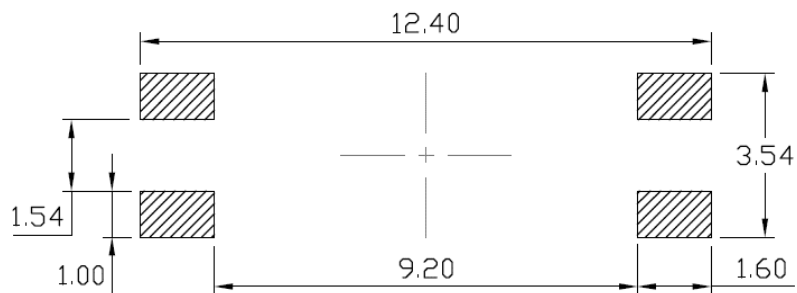


RECOMMENDED SOLDER MASK (Dimensions in mm unless otherwise stated)

Surface Mount Lead Forming & Surface Mount (Low Profile) Lead Forming

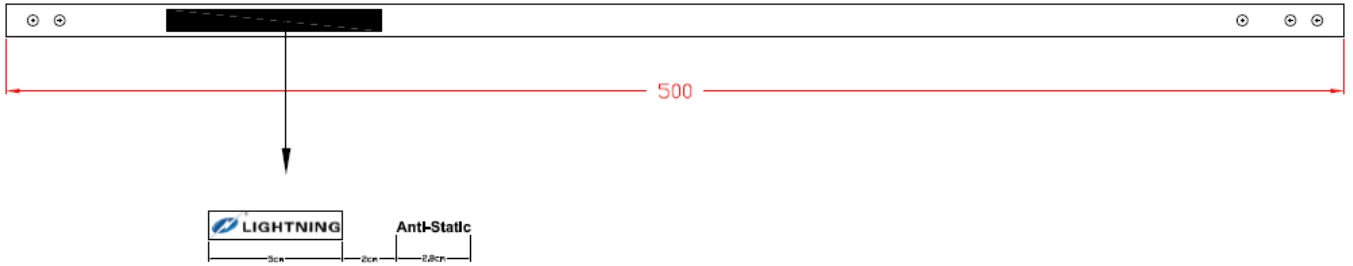
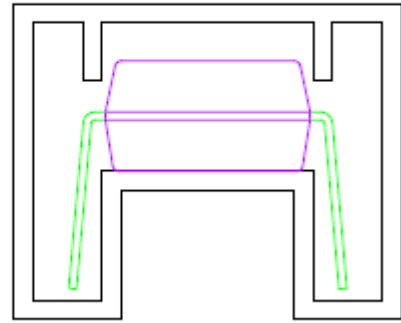
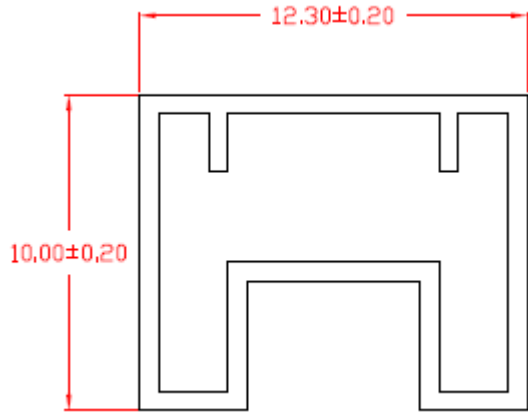


Surface Mount (Gullwing) Lead Forming

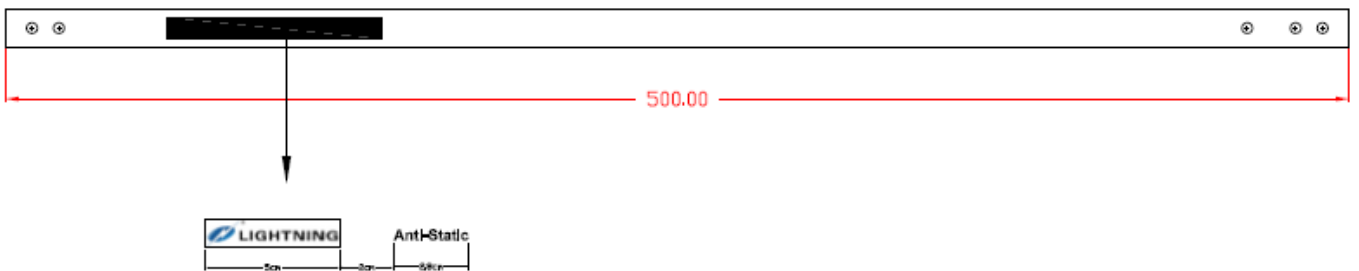
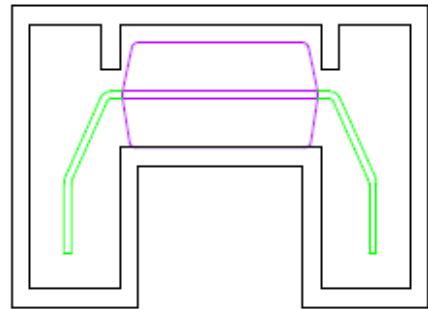
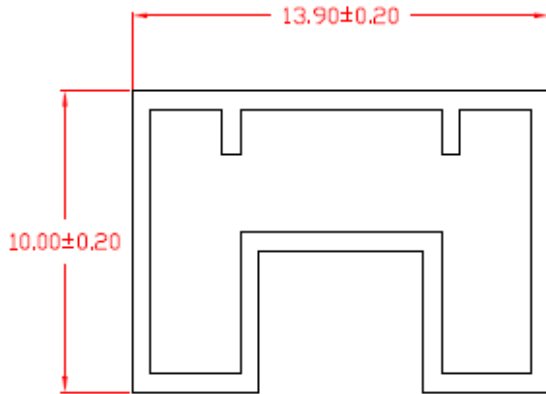


TUBE SPECIFICATIONS (Dimensions in mm unless otherwise stated)

Standard DIP



Option M



BOX SPECIFICATIONS (Tube Type)

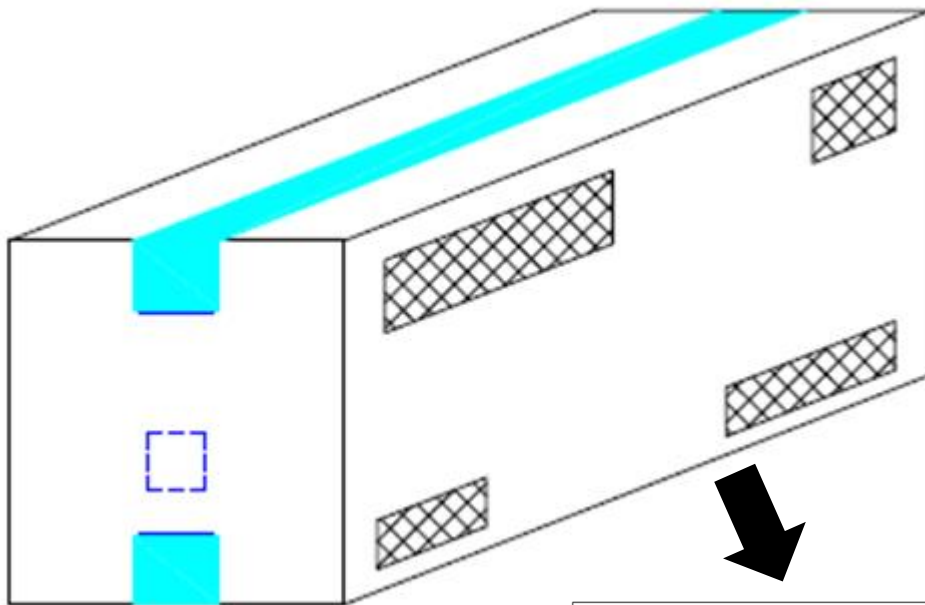
Inner Box

Label



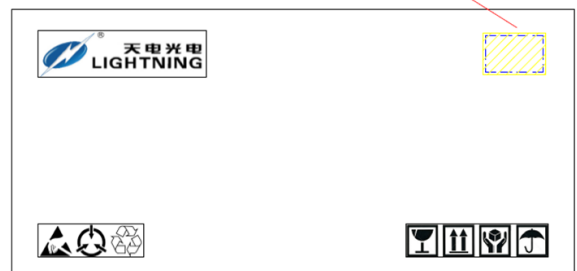
- L x W x H = 52.5cm x 10.7cm x 4.7cm

Outer Box



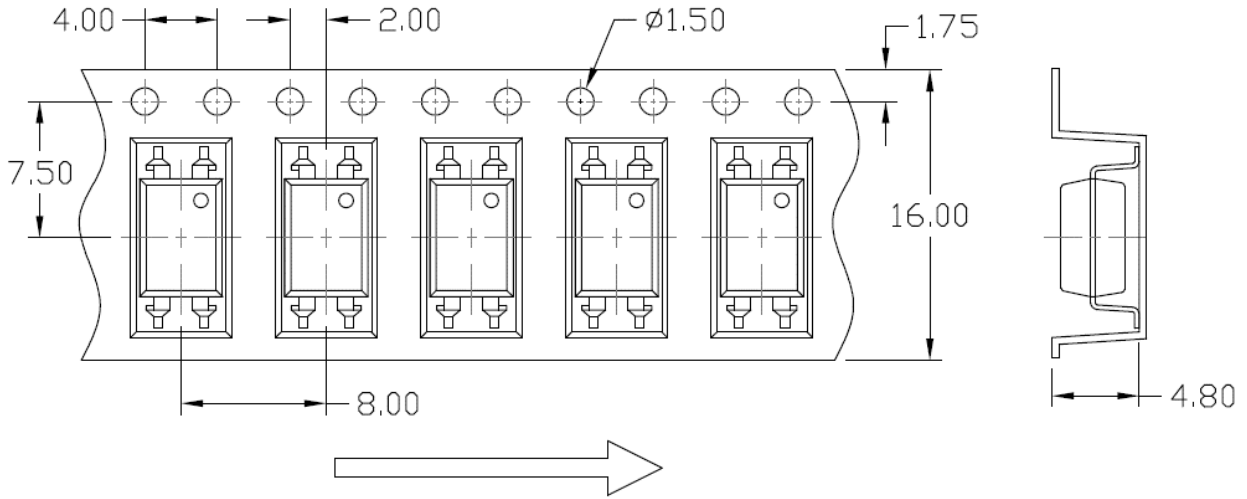
Label

- L x W x H = 53.5cm x 23.5cm x 25.5cm

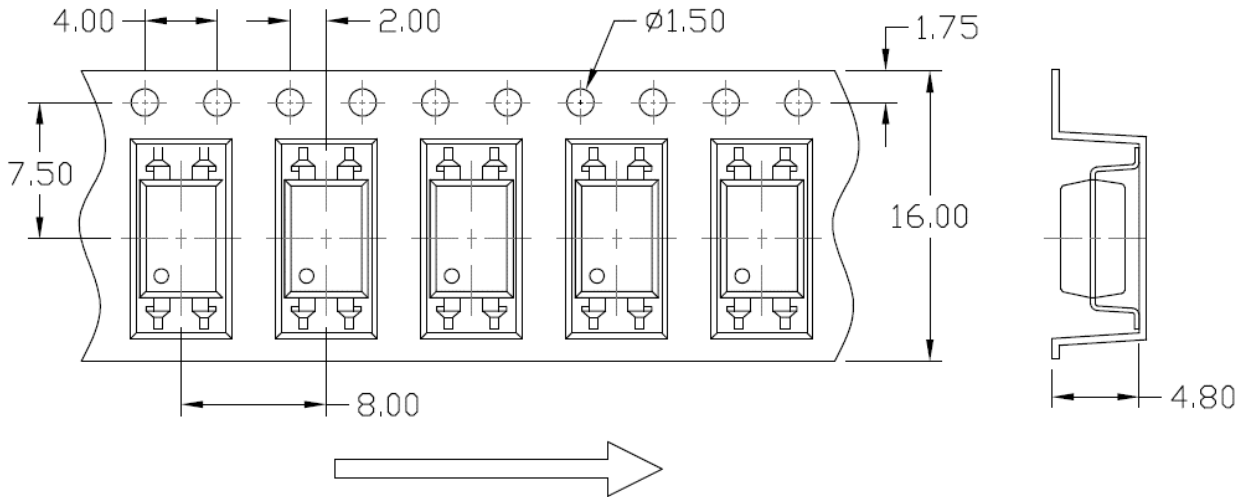


CARRIER TAPE SPECIFICATIONS (Dimensions in mm unless otherwise stated)

Option S(T1) & SL(T1)

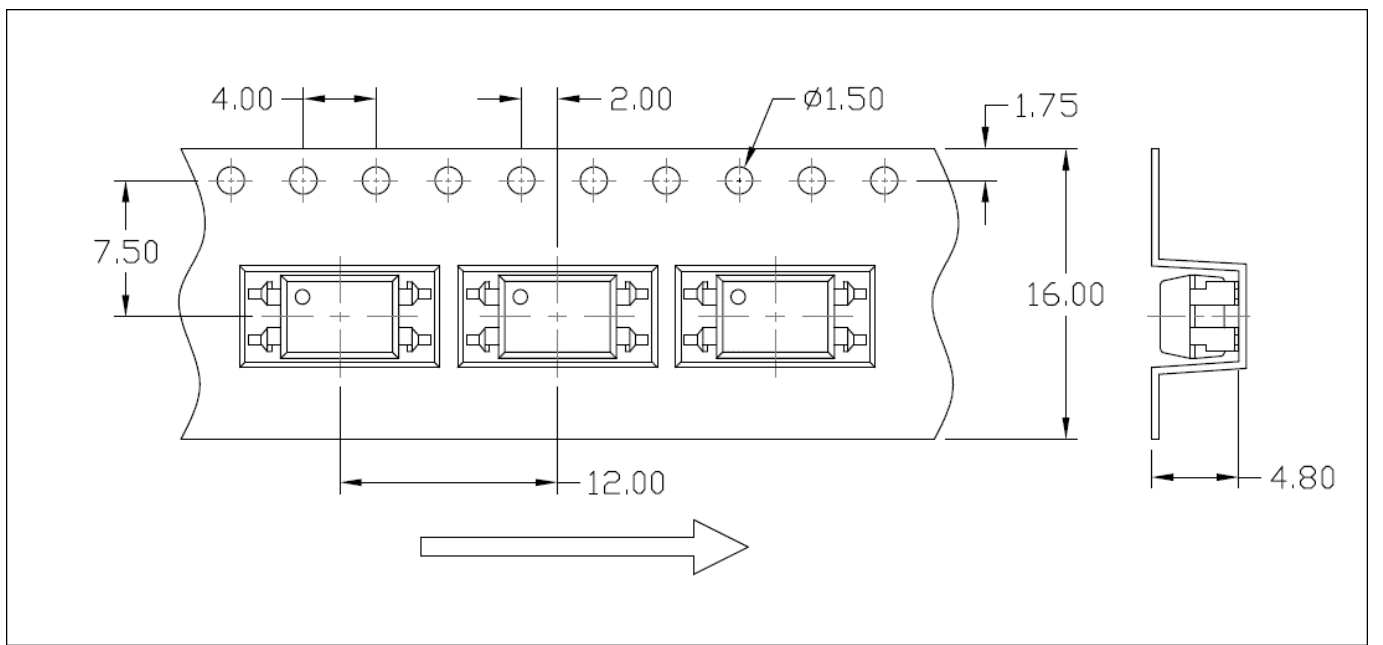


Option S(T2) & SL(T2)

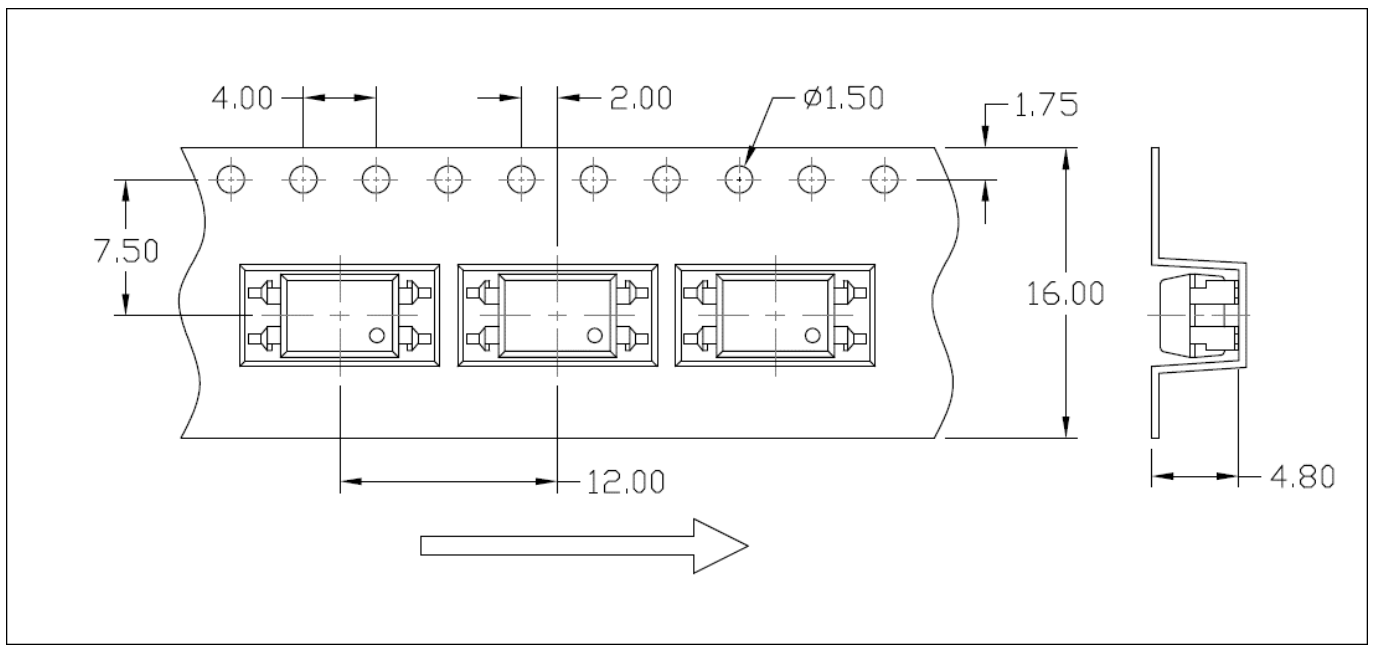


CARRIER TAPE SPECIFICATIONS (Dimensions in mm unless otherwise stated)

Option S(T3) & SL(T3)

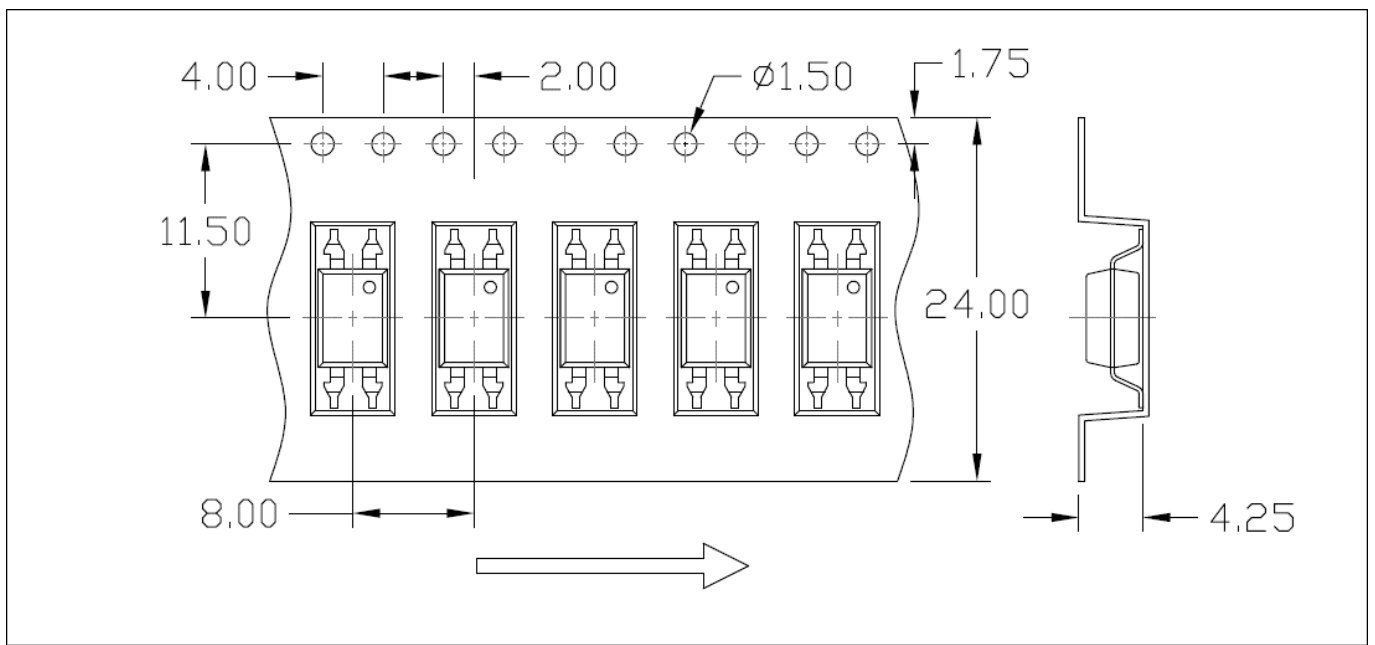


Option S(T4) & SL(T4)

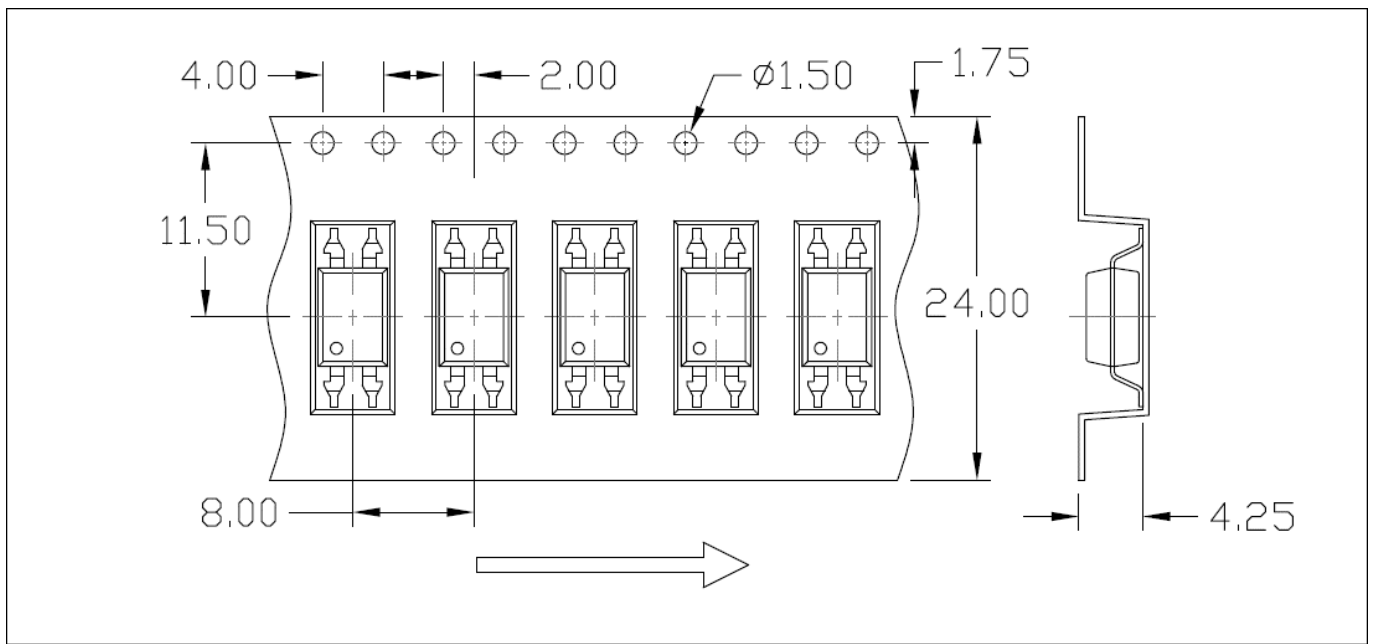


CARRIER TAPE SPECIFICATIONS (Dimensions in mm unless otherwise stated)

Option SLM(T1)

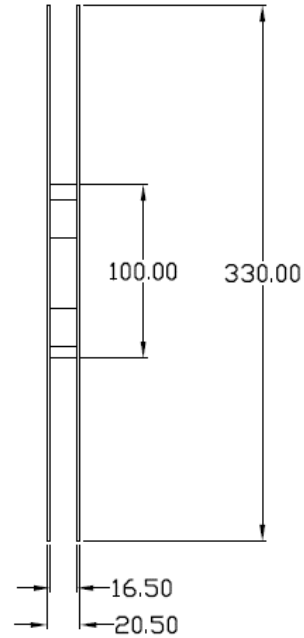
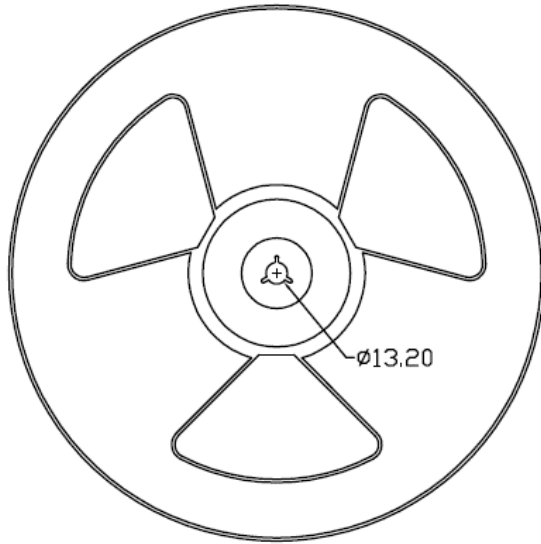


Option SLM(T2)

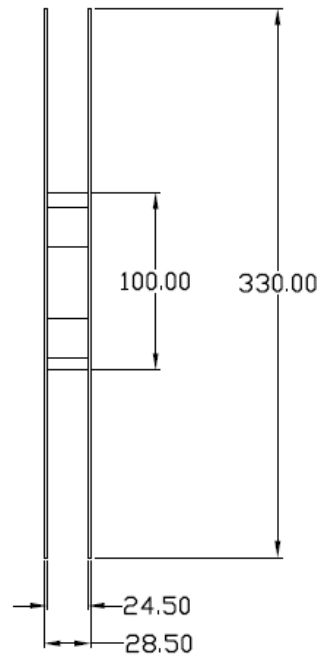
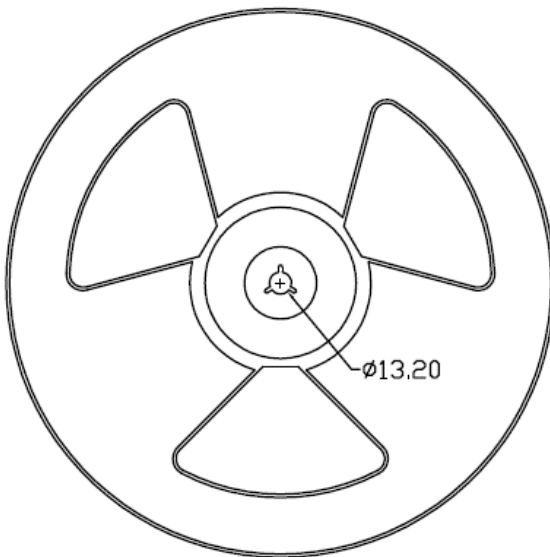


REEL SPECIFICATIONS (Dimensions in mm unless otherwise stated)

Option S & Option SL

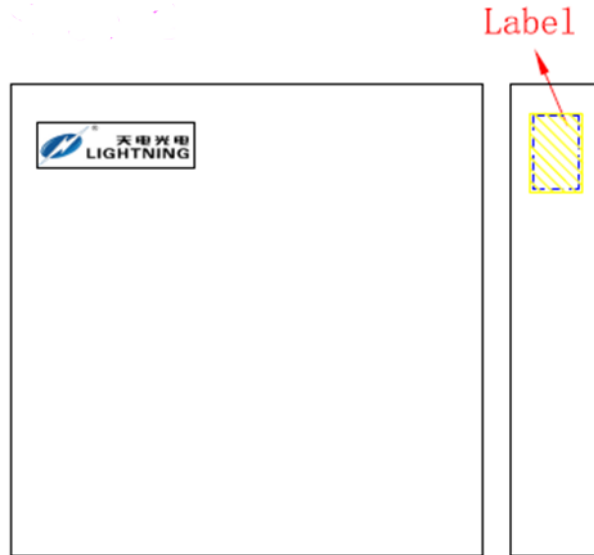


Option SLM



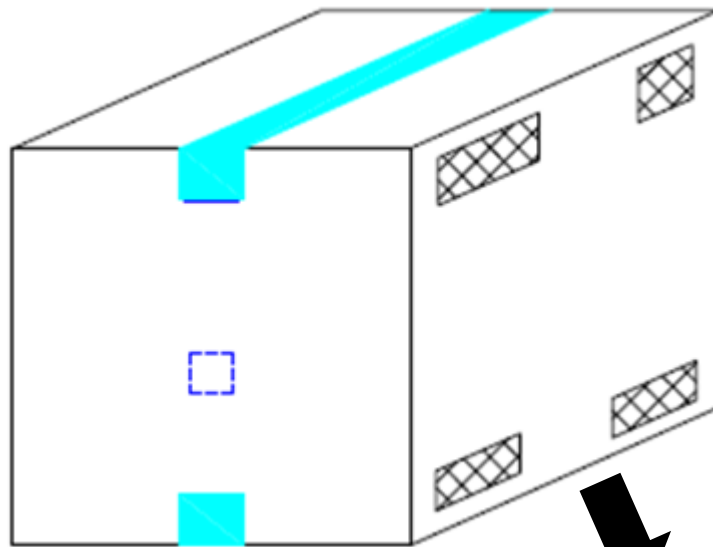
BOX SPECIFICATIONS (Reel Type)

Inner Box

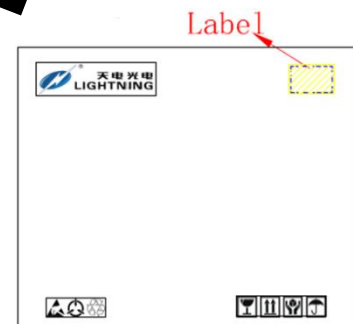


- L x W x H = 36cm x 36cm x 6.9cm

Outer Box



- L x W x H = 45cm x 38cm x 38cm





ORDERING AND MARKING INFORMATION

MARKING INFORMATION



TD : Company Abbr.
851 : Part Number
X : CTR Rank
V : VDE Option
Y : Fiscal Year
A : Manufacturing Code
WW : Work Week

ORDERING INFORMATION

LABEL INFORMATION

TD851(Y)(Z)-GV

TD – Company Abbr.
 851 – Part Number
 Y – Lead Form Option (M/S/SL/SLM/None)
 Z – Tape and Reel Option (T1/T2/T3/T4)
 G – Green
 V – VDE Option (V or None)

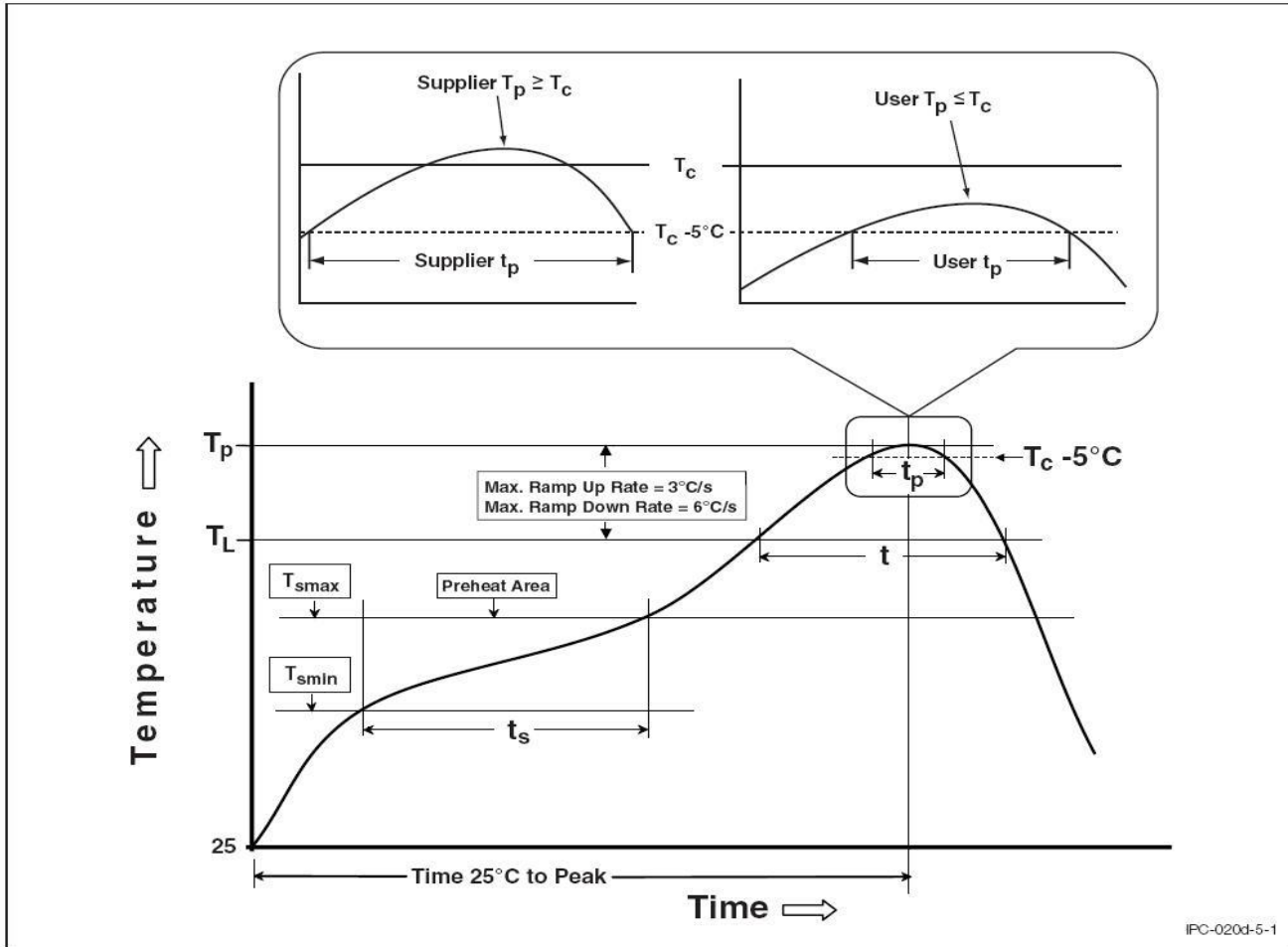
福建天电光电有限公司
 FUJIAN LIGHTNING OPTOELECTRONIC CO., LTD.
 Part No : XXXXXXXXXXXXXXXX Bin Code : X
 Lot No : XXXXXXXXXXXX
 Date Code : XXXX
 Q'ty : XXXX pcs

Packing Quantity

Option	Quantity	Quantity – Inner box	Quantity – Outer box
None	100 Units/Tube	32 Tubes/Inner box	10 Inner box/Outer box = 32k Units
M	100 Units/Tube	32 Tubes/Inner box	10 Inner box/Outer box = 32k Units
S(T1)	1500 Units/Reel	3 Reels/Inner box	5 Inner box/Outer box = 22.5k Units
S(T2)	1500 Units/Reel	3 Reels/Inner box	5 Inner box/Outer box = 22.5k Units
S(T3)	1000 Units/Reel	3 Reels/Inner box	5 Inner box/Outer box = 15k Units
S(T4)	1000 Units/Reel	3 Reels/Inner box	5 Inner box/Outer box = 15k Units
SL(T1)	1500 Units/Reel	3 Reels/Inner box	5 Inner box/Outer box = 22.5k Units
SL(T2)	1500 Units/Reel	3 Reels/Inner box	5 Inner box/Outer box = 22.5k Units
SL(T3)	1000 Units/Reel	3 Reels/Inner box	5 Inner box/Outer box = 15k Units
SL(T4)	1000 Units/Reel	3 Reels/Inner box	5 Inner box/Outer box = 15k Units
SLM(T1)	1500 Units/Reel	3 Reels/Inner box	5 Inner box/Outer box = 22.5k Units
SLM(T2)	1500 Units/Reel	3 Reels/Inner box	5 Inner box/Outer box = 22.5k Units

REFLOW INFORMATION

REFLOW PROFILE



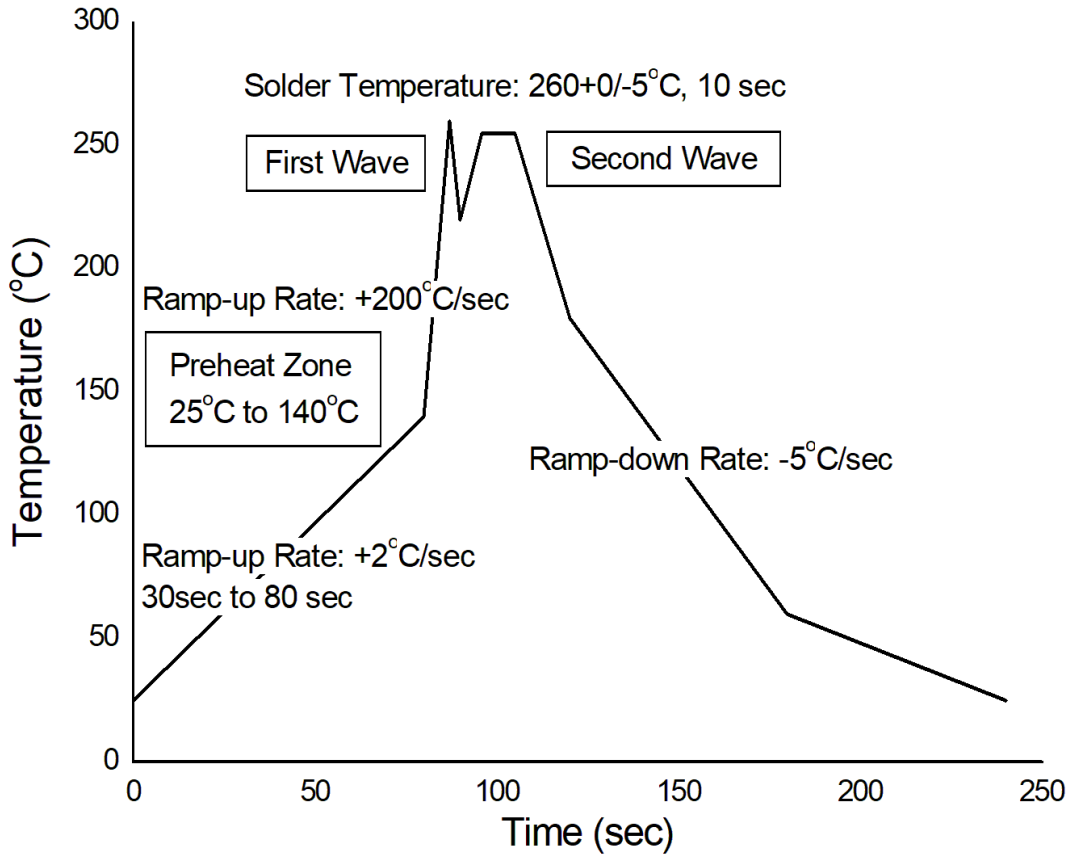
IPC-020d-5-1

Profile Feature	Sn-Pb Assembly Profile	Pb-Free Assembly Profile
Temperature Min. (T_{smin})	100	150°C
Temperature Max. (T_{smax})	150	200°C
Time (t_s) from (T_{smin} to T_{smax})	60-120 seconds	60-120 seconds
Ramp-up Rate (t_L to t_P)	3°C/second max.	3°C/second max.
Liquidous Temperature (T_L)	183°C	217°C
Time (t_L) Maintained Above (T_L)	60 – 150 seconds	60 – 150 seconds
Peak Body Package Temperature	235°C +0°C / -5°C	260°C +0°C / -5°C
Time (t_P) within 5°C of 260°C	20 seconds	30 seconds
Ramp-down Rate (T_P to T_L)	6°C/second max	6°C/second max
Time 25°C to Peak Temperature	6 minutes max.	8 minutes max.



TEMPERATURE PROFILE OF SOLDERING

WAVE SOLDERING (JESD22-A111 COMPLIANT)



HAND SOLDERING BY SOLDERING IRON

Soldering Temperature	$380 \pm 0/-5^{\circ}\text{C}$
Soldering Time	3 sec max.

- One time soldering is recommended for all soldering method.
- Do not solder more than three times for IR reflow soldering.



DISCLAIMER

- LIGHTNING is continually improving the quality, reliability, function and design. LIGHTNING reserves the right to make changes without further notices.
- The characteristic curves shown in this datasheet are representing typical performance which are not guaranteed.
- LIGHTNING makes no warranty, representation or guarantee regarding the suitability of the products for any particular purpose or the continuing production of any product. To the maximum extent permitted by applicable law, LIGHTNING disclaims (a) any and all liability arising out of the application or use of any product, (b) any and all liability, including without limitation special, consequential or incidental damages, and (c) any and all implied warranties, including warranties of fitness for particular
- The products shown in this publication are designed for the general use in electronic applications such as office automation, equipment, communications devices, audio/visual equipment, electrical application and instrumentation purpose, non-infringement and merchantability.
- This product is not intended to be used for military, aircraft, automotive, medical, life sustaining or lifesaving applications or any other application which can result in human injury or death.
- Please contact LIGHTNING sales agent for special application request.
- Immerge unit's body in solder paste is not recommended.
- Parameters provided in datasheets may vary in different applications and performance may vary over time. All operating parameters, including typical parameters, must be validated in each customer application by the customer's technical experts. Product specifications do not expand or otherwise modify LIGHTNING's terms and conditions of purchase, including but not limited to the warranty expressed therein.
- Discoloration might be occurred on the package surface after soldering, reflow or long-time use. It neither impacts the performance nor reliability.