



**BRIGHTTEK**  
**BRIGHTTEK (EUROPE) LIMITED**

*Brighten up The World With LED!*



ISO/TS 16949:2009



BS EN ISO 14001:2004



QC 080000 IECQ HSPM

## PRODUCT DATASHEET

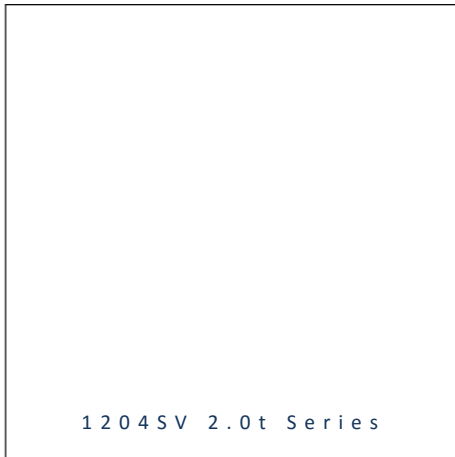


- ▶ PCB / CHIP LED
- ▶ 1204SV 2.0t Series
- ▶ Red (620nm) / Green (570nm)

NOD11S97SV



Release Date: 14 July 2016 Version: A1.1



1204SV 2.0t Series

### 1204SV 2.0t Series

**RoHS**  
Compliant



#### FEATURES (Red/Green):

- **Package:** PCB / CHIP LED
- **Forward Current:** 20/20mA\*
- **Forward Voltage (typ.):** 2.0/2.0V
- **Luminous Intensity (typ.):** 90/40mcd @20mA
- **Colour:** Red/Green
- **Wavelength:** 620/570nm
- **Viewing angle:** 150/150°
- **Materials:**
  - Die: AlGaInP/AlGaInP
  - Resin: Epoxy (Water Clear)
- **Operating Temperature:** -40~+80°C
- **Storage Temperature:** -40~+85°C
- **Grouping parameters:**
  - Forward voltage
  - Luminous intensity
  - Wavelength
- **Soldering methods:** Reflow soldering
- **Preconditioning:** acc. to JEDEC Level 3
- **Packing:** : 8mm tape with 3000/reel, ø180mm (7")

\* In the order of Red/Green.

#### APPLICATIONS:

- Indicator
- Dashboard
- 3C Application
- Backlighting
- Decoration Lighting

## CHARACTERISTICS:

### Absolute Maximum Characteristics (Ta=25°C)

Parameter	Symbol	Ratings	Unit
Forward Current	$I_F$	30/30*	mA
Peak Forward Current Duty 1/8@1KHz	$I_{FP}$	125/125	mA
Reverse Current @5V	$I_R$	10/10	$\mu$ A
Power Dissipation	$P_D$	75/75	mW
Operating Temperature	$T_{OPR}$	-40~+80	°C
Storage Temperature	$T_{STG}$	-40~+85	°C

- \* In the order of Red/Green.

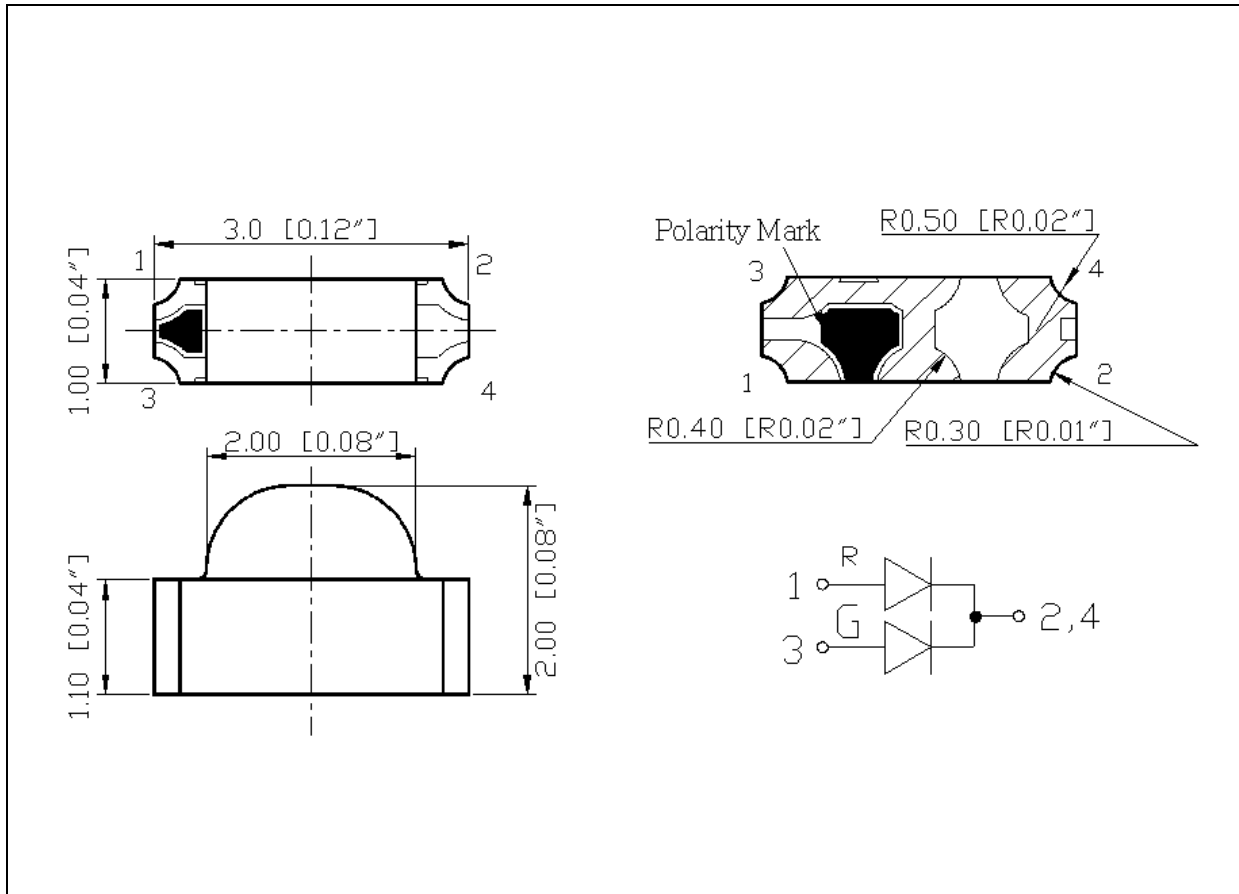
### Electrical & Optical Characteristics (Ta=25°C)

Parameter	Symbol	Values			Unit	Test Condition
		Min.	Typ.	Max.		
Forward Voltage	$V_F$	1.7/1.7*	2.0/2.0	2.5/2.5	V	$I_F=20$ mA
Luminous Intensity	$I_V$	50/25	90/40	160/63	mcd	$I_F=20$ mA
Dominant Wavelength	$\lambda_D$	615/565	620/570	630/576	nm	$I_F=20$ mA
Peak Wavelength	$\lambda_p$	---	630/572	---	nm	$I_F=20$ mA
Spectral Line Half Bandwidth	$\Delta \lambda$	---	18/16	---	nm	$I_F=20$ mA
Viewing Angle	$2\theta_{1/2}$	---	150/150	---	deg	$I_F=20$ mA

- \* In the order of Red/Green.
- Luminous intensity ( $I_V$ )  $\pm 15\%$ , Forward Voltage ( $V_F$ )  $\pm 0.1$ V, Viewing angle( $2\theta_{1/2}$ )  $\pm 5\%$
- IS standard testing

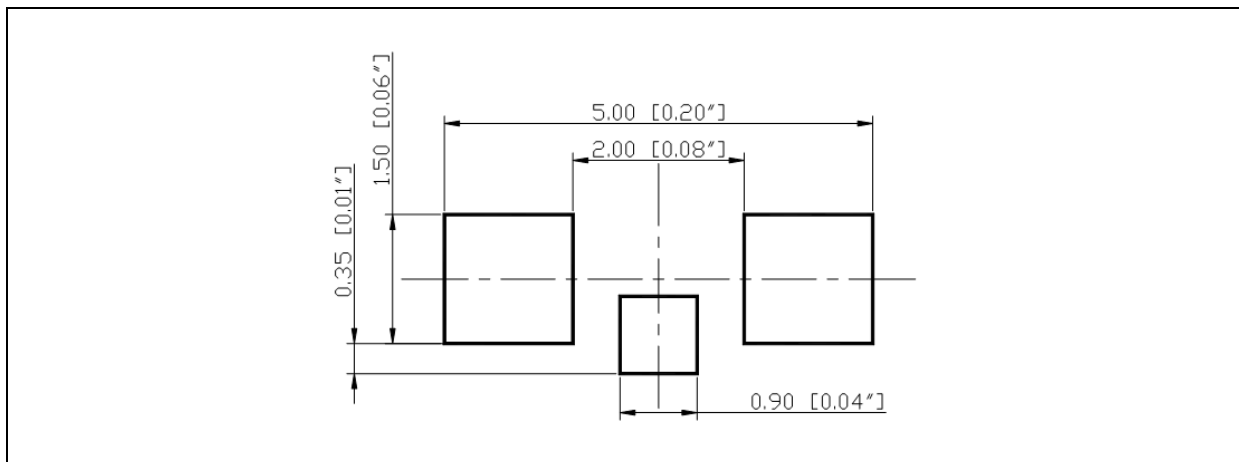
## OUTLINE DIMENSION:

Package Dimension:



1. All dimensions are in millimetre (mm).
2. Tolerance  $\pm 0.2\text{mm}$ , unless otherwise noted.

Recommended Soldering Pad Dimension:



1. Dimensions are in millimetre (mm).
2. Tolerance  $\pm 0.1\text{mm}$  with angle tolerance  $\pm 0.5^\circ$ .

**BINNING GROUPS:**


---

 Forward Voltage Classifications ( $I_F = 20\text{mA}$ ):

	Code	Min.	Max.	Unit
Red	B	1.7	2.5	V
Green	B	1.7	2.5	V

 Luminous Intensity Classifications ( $I_F = 20\text{mA}$ ):

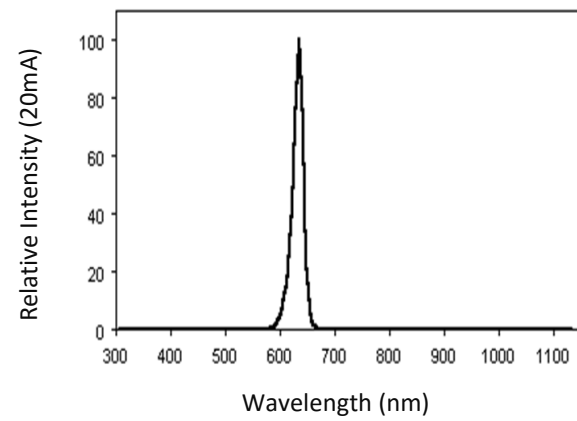
	Code	Min.	Max.	Unit
Red	G	50	63	mcd
	H	63	80	
	I	80	100	
	J	100	125	
	K	125	160	
Green	D	25	32	mcd
	E	32	40	
	F	40	50	
	G	50	63	

 Wavelength Classifications ( $I_F = 20\text{mA}$ ):

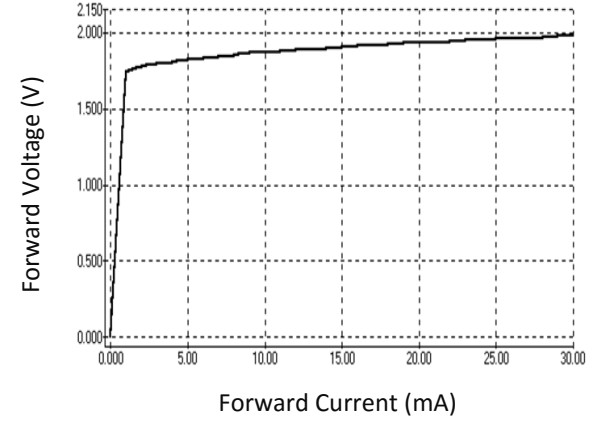
	Code	Min.	Max.	Unit
Red	S	615	620	nm
	T	620	625	
	U	625	630	
Green	H	565	568	nm
	I	568	572	
	J	572	576	

**ELECTRO-OPTICAL CHARACTERISTICS (RED):**

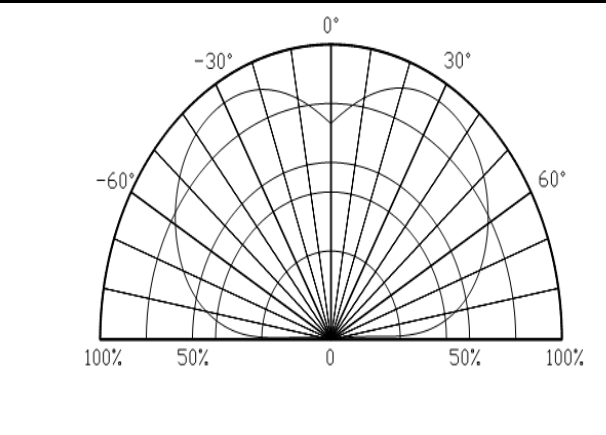
Relative Spectral Distribution



Forward Current v.s. Forward Voltage

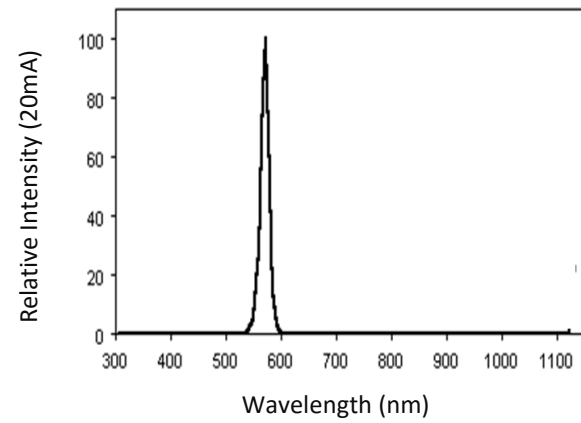


Directive Radiation

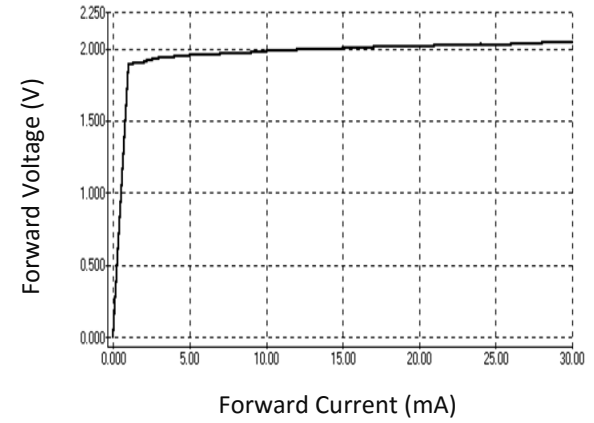


**ELECTRO-OPTICAL CHARACTERISTICS (GREEN):**

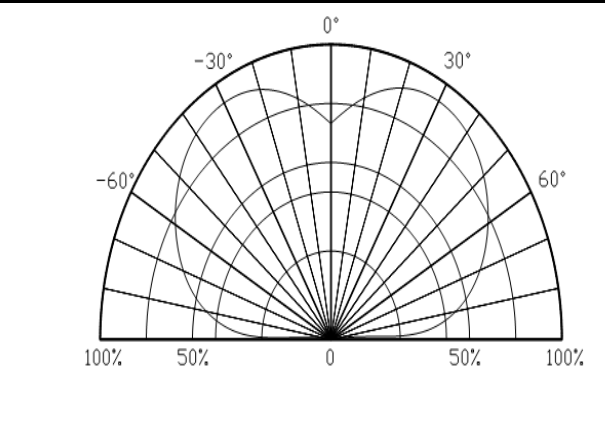
Relative Spectral Distribution



Forward Current v.s. Forward Voltage

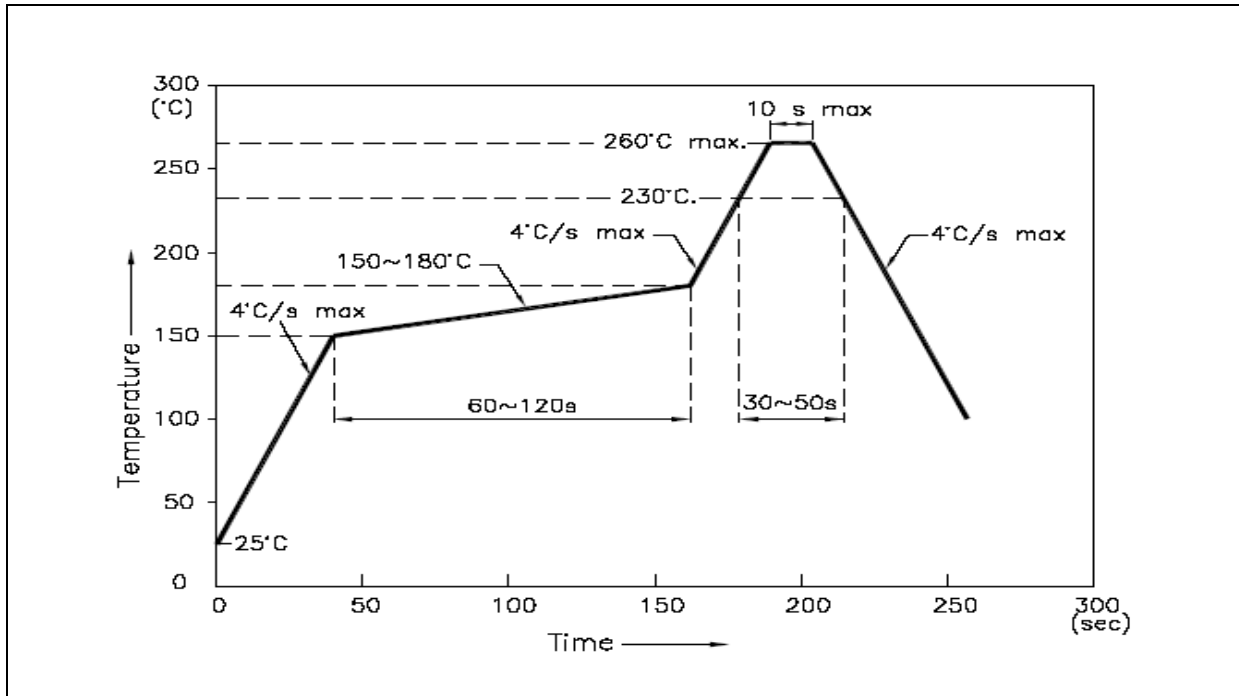


Directive Radiation



## RECOMMENDED SOLDERING PROFILE:

Reflow Solder:

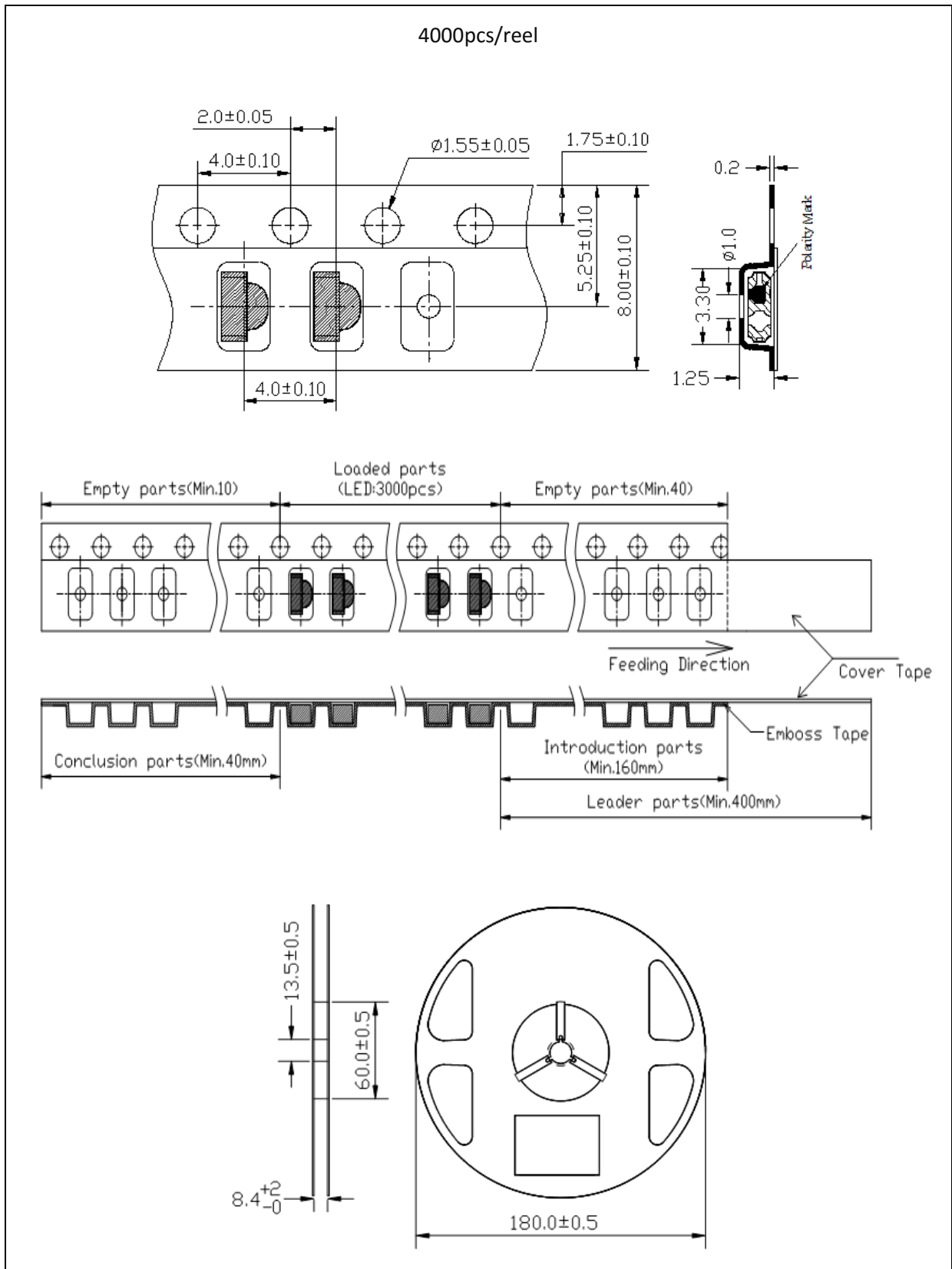


Note:

1. Recommend reflow temperature 245°C.
2. Maximum reflow soldering: 2 times.
3. Before, during, and after soldering, should not apply stress on the components and PCB board.

**PACKING SPECIFICATION:**

Reel Dimension:





## PRECAUTIONS OF USE:

---

### Storage:

It is recommended to store the products in the following conditions:

- Humidity: 60% R.H. Max.
- Temperature: 5°C~30°C (41°F ~86°F).

Shelf life in sealed bag: 12 month at 5°C~30°C and <60% R.H.

Once the package is opened, the products should be used within a week. Otherwise, they should be kept in a damp-proof box with desiccating agent and apply baking at 60°C±5°C for 15hrs before use.

### Baking:

It is recommended to bake the LED before soldering if the pack has been unsealed for longer than 24hrs.

The suggested baking conditions are as followings:

- 70±3°C x 24hrs and <5%RH, taped / reel package.
- 100±3°C x 2hrs, bulk (loose) package.
- 130±3°C x 30min, bulk (loose) package.

It's normal to see slight color fading of carrier (light Blue) after baking in process.

### Testing Circuit:



Must apply resistor(s) for protection (over current proof).

### Cleaning:

Use alcohol-based cleaning solvents such as isopropyl alcohol to clean the LED carrier / package. Avoid putting any stress force directly on to the LED lens.

### ESD (Electrostatic Discharge):

Static Electricity or power surge will damage the LED. Use of a conductive wrist band or anti-electrostatic glove is recommended when handling the LED all time. All devices, equipment, machinery, work tables, and storage racks must be properly grounded.

In the events of manual working in process, make sure the devices are well protected from ESD at any time.

**REVISION RECORD:**

---

Version	Date	Summary of Revision
A1.0	07/08/2014	Datasheet set-up.
A1.1	14/07/2016	Part number adds -SV for side view.