



BRIGHTTEK
BRIGHTTEK (EUROPE) LIMITED

BRIGHTTEK

2016 Catalogue

- UV LED

Table of Contents

UV LED

- 5mm Lamp3
- 0603 (1608)4
- 30205
- 35286
- 3528+Lens7
- K18
- 35359-10
- 525211-13
- 686814-15
- 909016

Sorting by Wavelength

365nm

- 35359-10
- 525212
- 686814-15
- 909016

385nm

- 35359-10
- 525211-13
- 686814-15
- 909016

395nm

- 0603 (1608)4
- 30205
- 35286
- K18
- 35359-10
- 525211-13
- 686814-15
- 909016

400nm

- 35286
--------	--------

405nm

- 0603 (1608)4
- 30205
- K18
- 35359-10
- 525211-13

415nm

- 5mm Lamp3
- 3528+Lens7
- 35359-10
- 525212-13

425nm

- 35359-10
--------	-----------

PTH Lamp

5mm Round 8.6t / 8.15t

415nm



Features:

- Low Power LED
- THT T1 3/4 Lamp
- Available in Bulk or Taping
- Hand Soldering Possible
- Narrow Viewing Angle
- Epoxy Lens

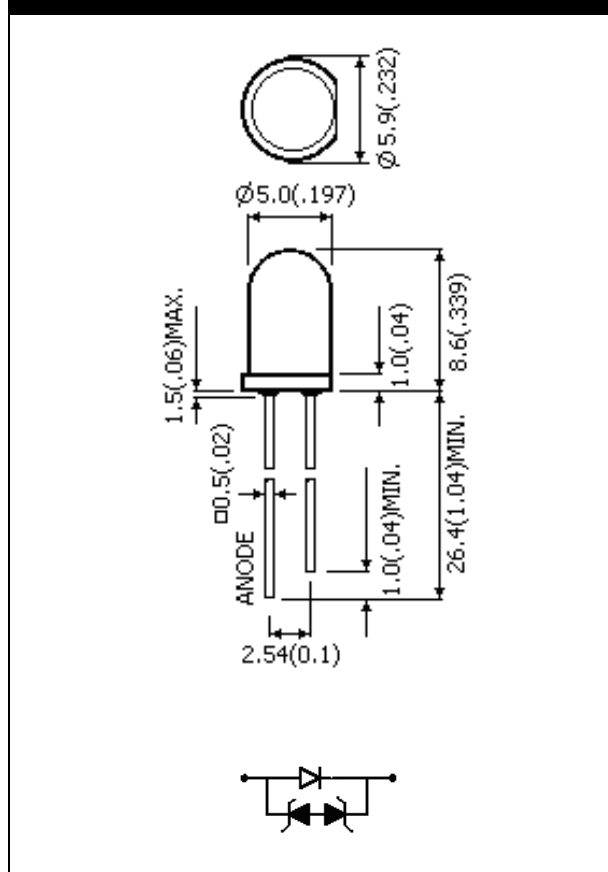
Applications:

- Nail Art Curing
- Skin Tanning
- Photocatalysis Air Purification
- Counterfeit Banknote Detection
- Ink Curing

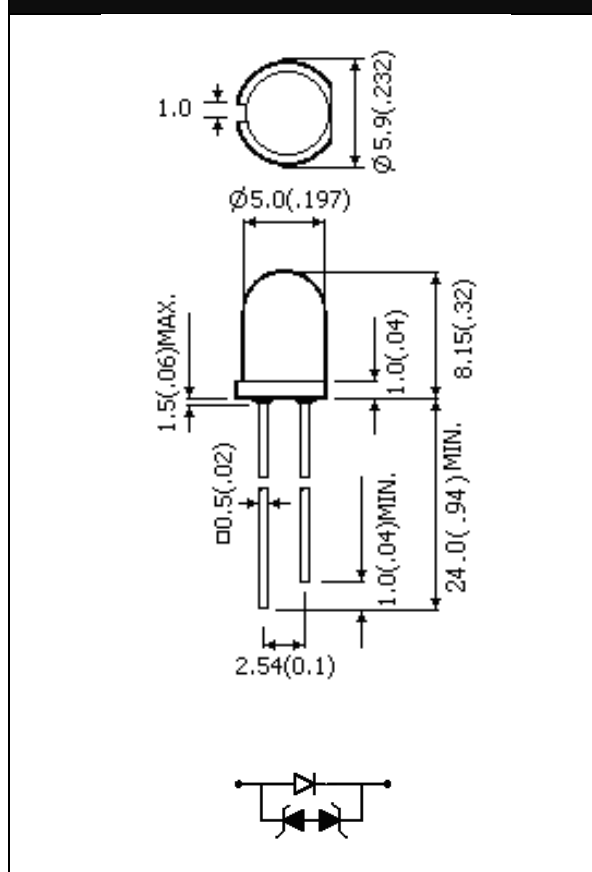
Electrical & Optical Characteristics (typ. at 20mA)

Order Code	Colour	WL (nm)	$2\theta_{1/2}$ (°)	P _o (mW)	V _F (V)	I _F (mA)	I _{MAX} (mA)
N0Q15L83Z	Purple	410-420nm	16	160	2.2	20	30
N0Q15L95Z	Purple	410-420nm	40	70	3.5	20	30

N0Q15L83Z Package Dimensions (mm)



N0Q15L95Z Package Dimensions (mm)

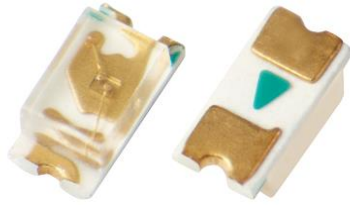


PCB / CHIP LED

0603 (1608) 0.8t

395nm

405nm



Features:

- Low Power LED
- Top View
- Surface Mount Device
- Epoxy Lens

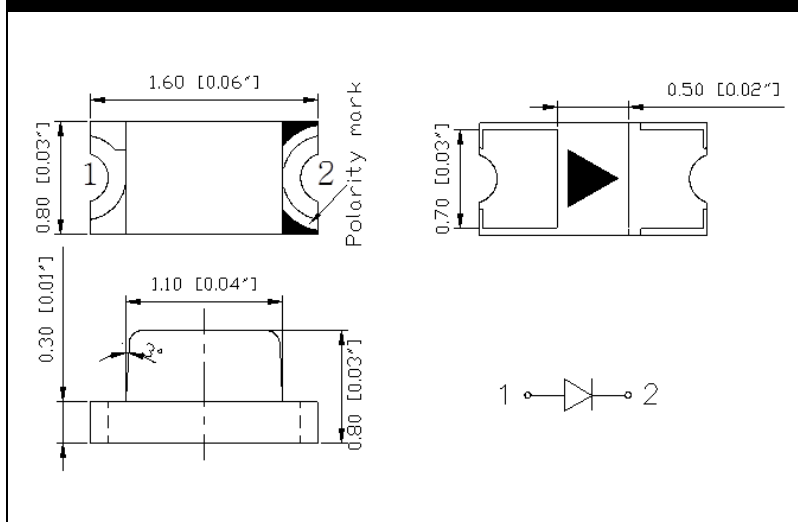
Applications:

- Nail Art Curing
- Skin Tanning
- Photocatalysis Air Purification
- Counterfeit Banknote Detection
- Ink Curing

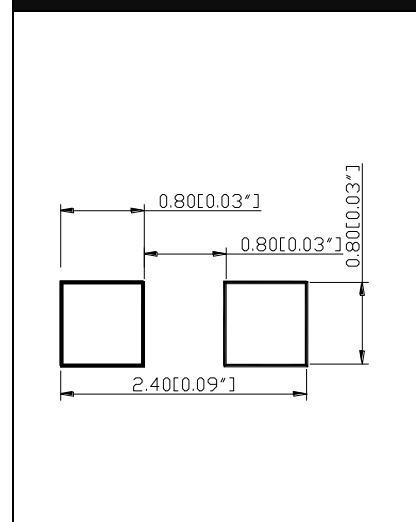
Electrical & Optical Characteristics (typ. at 20mA)

Order Code	Colour	WL (nm)	$2\theta_{1/2}$ (°)	I_V (mcd)	V_F (V)	I_F (mA)	I_{MAX} (mA)
NOQ18S76	UV	390-400nm	140	2.2	3.3	20	30
NOQ18S77	UV	400-410nm	140	2.9	3.1	20	30

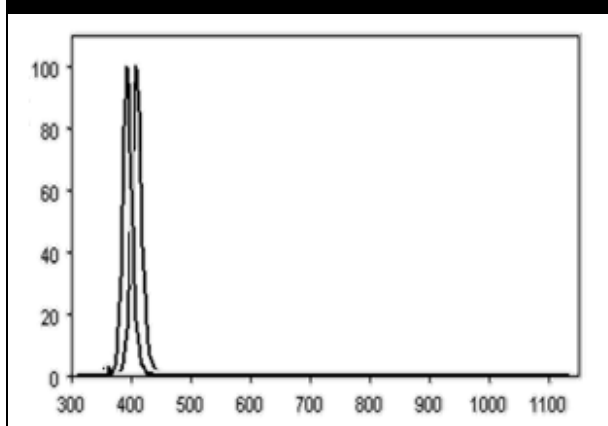
Package Dimensions (mm)



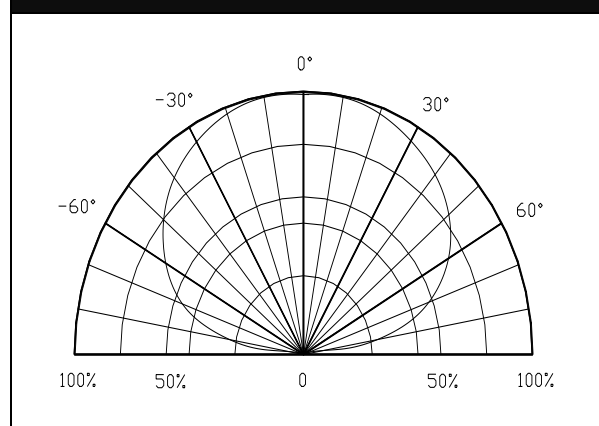
Recommended Solder Pattern



Relative Spectral Distribution



Directive Radiation



PLCC2 LED

3020 1.3t

395nm

405nm





Features:

- Low Power LED
- Top View
- Surface Mount Device
- Large Emitting Area
- Silicone Lens

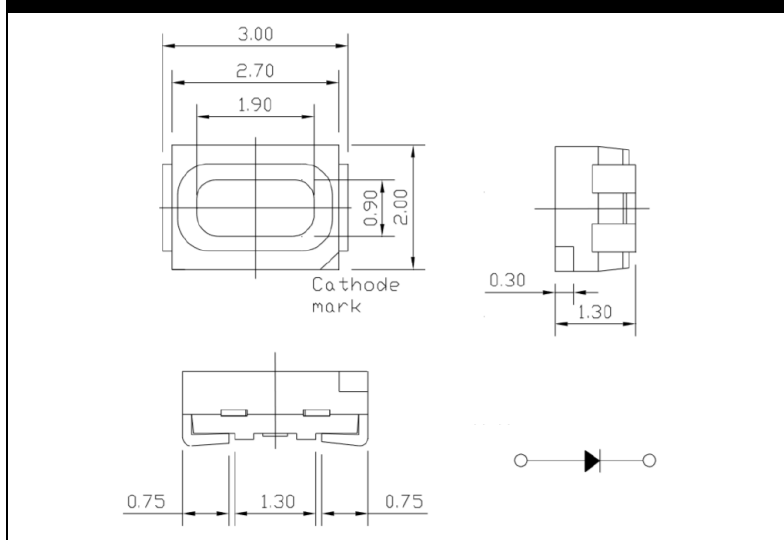
Applications:

- Nail Art Curing
- Skin Tanning
- Photocatalysis Air Purification
- Counterfeit Banknote Detection
- Ink Curing
- LED Tube

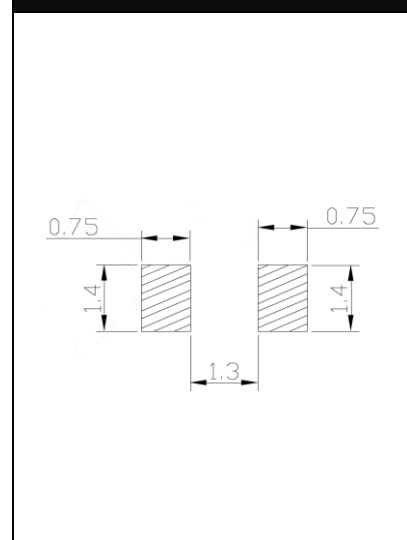
Electrical & Optical Characteristics (typ. at 20mA)

Order Code	Colour	WL (nm)	$2\theta_{1/2}$ (°)	P_O (mW)	V_F (V)	I_F (mA)	I_{MAX} (mA)
N0Q23S44-395	UV 	390-400nm	120	18	3.3	20	25
N0Q23S44-405	UV 	400-410nm	120	18	3.3	20	25

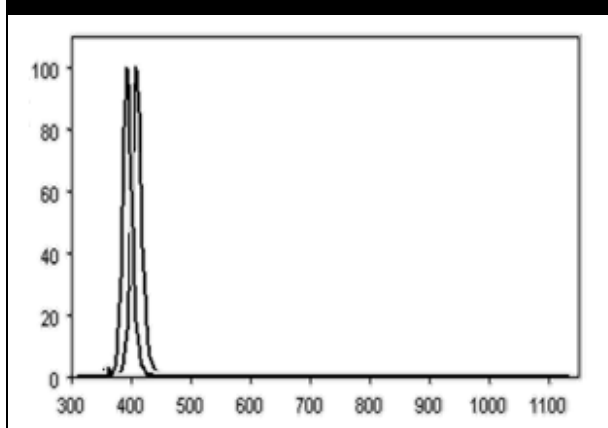
Package Dimensions (mm)



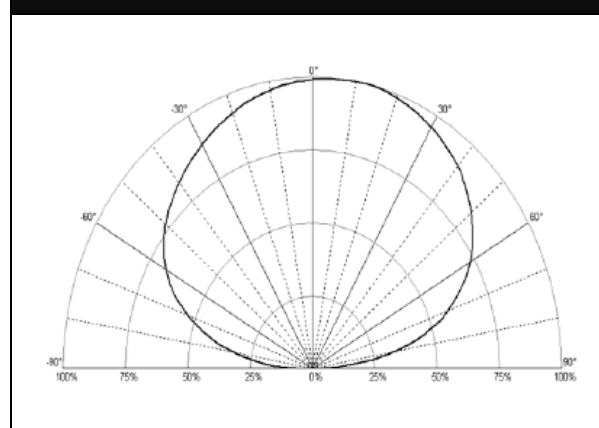
Recommended Solder Pattern



Relative Spectral Distribution



Directive Radiation



PLCC2 LED

3528 1.9t

395nm

400nm





Features:

- Low Power LED
- Top View
- Surface Mount Device
- Large Emitting Area
- Silicone Lens

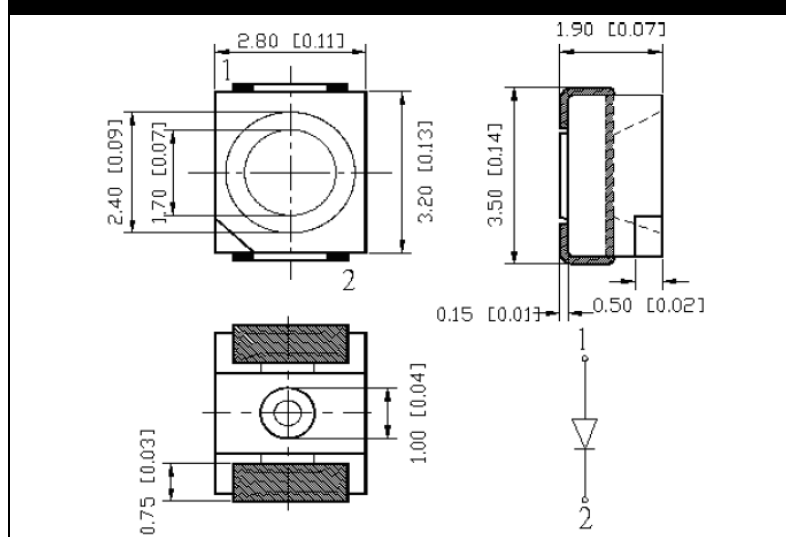
Applications:

- Nail Art Curing
- Skin Tanning
- Photocatalysis Air Purification
- Counterfeit Banknote Detection
- Ink Curing
- LED Tube

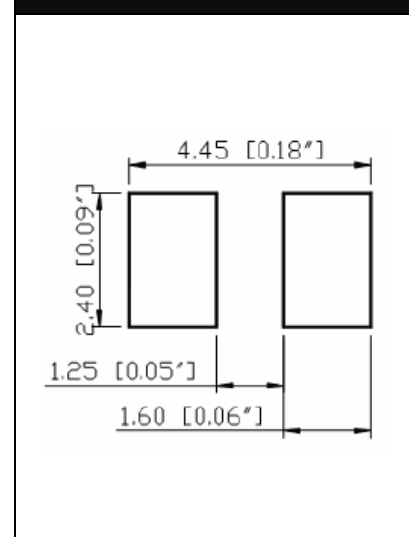
Electrical & Optical Characteristics (typ. at 20mA)

Order Code	Colour	WL (nm)	$2\theta_{1/2}$ (°)	I_V (mcd)	V_F (V)	I_F (mA)	I_{MAX} (mA)
NOQ05S76	UV 	395-405nm	120	11	3.2	20	30
NOQ18S75	UV 	390-400nm	120	30	3.2	20	30

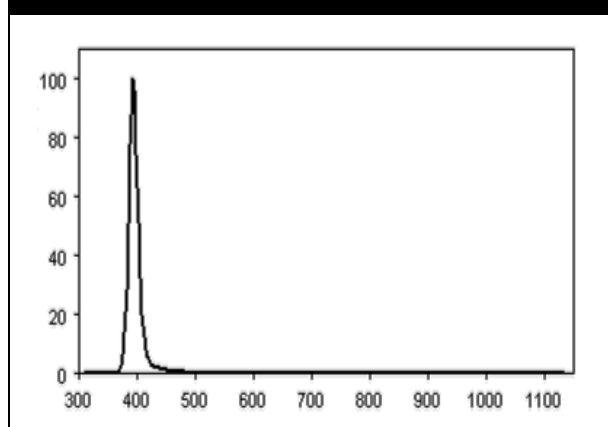
Package Dimensions (mm)



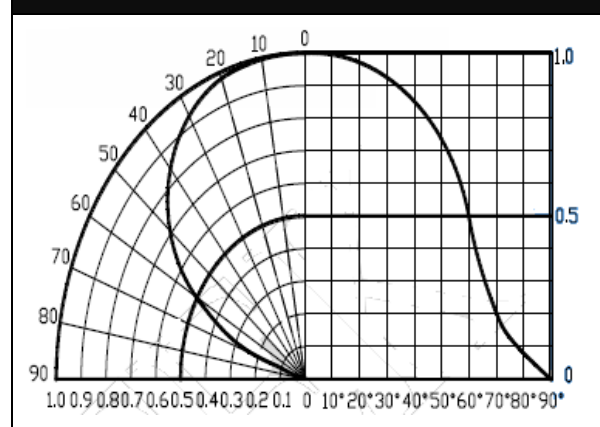
Recommended Solder Pattern



Relative Spectral Distribution



Directive Radiation



PLCC2 LED

3528+Lens White Package

415nm



Features:

- Low Power LED
- Top View
- Surface Mount Device
- Narrow Viewing Angle
- Epoxy Lens

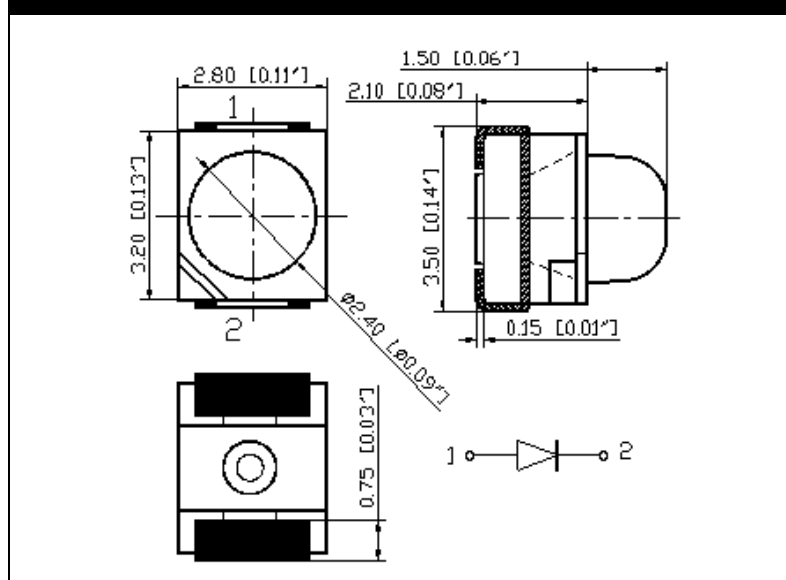
Applications:

- Nail Art Curing
- Skin Tanning
- Photocatalysis Air Purification
- Counterfeit Banknote Detection
- Ink Curing

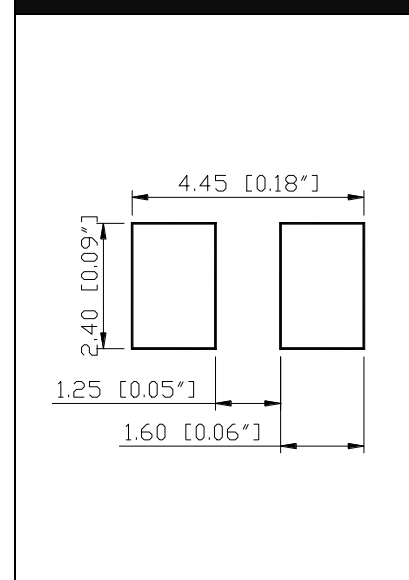
Electrical & Optical Characteristics (typ. at 20mA)

Order Code	Colour	WL (nm)	$2\theta_{1/2}$ (°)	I_V (mcd)	V_F (V)	I_F (mA)	I_{MAX} (mA)
NOQ17S02	Purple ■	410-420nm	30	25	3.3	20	30

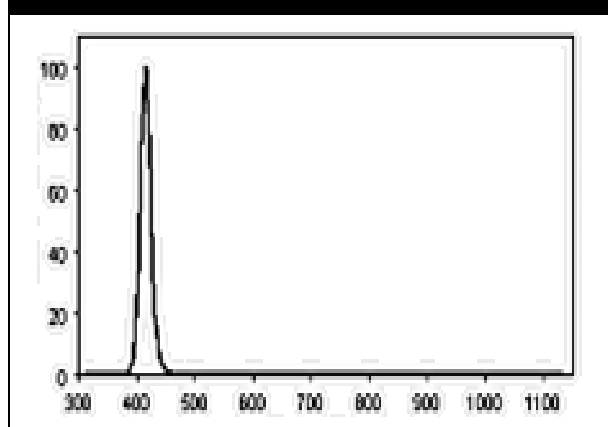
Package Dimensions (mm)



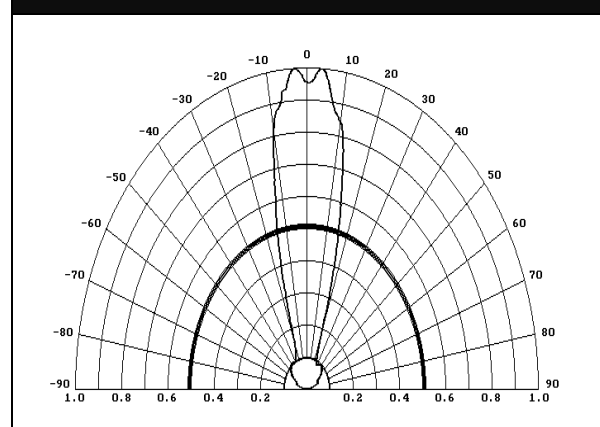
Recommended Solder Pattern



Relative Spectral Distribution



Directive Radiation



PLCC2 LED

K1 1~2W

395nm

405nm



Features:

- High Power LED
- Top View
- Surface Mount Device
- Gold-Plating Pins
- Single Die Package
- Silicone Lens

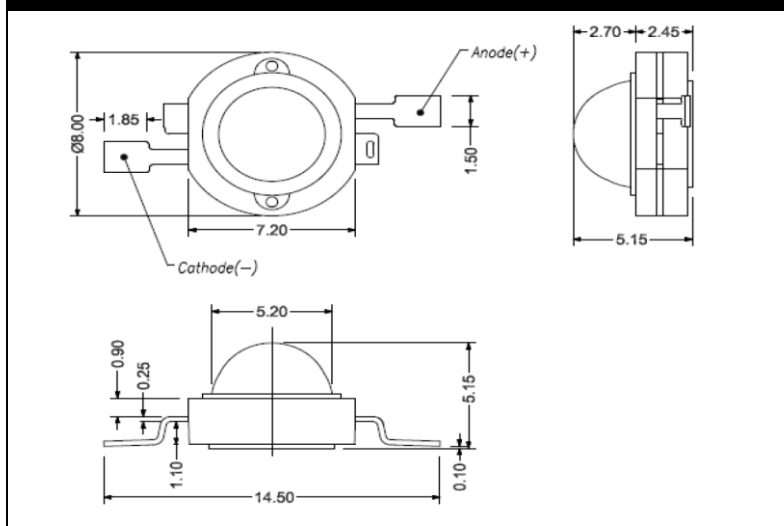
Applications:

- Photocatalysis Air Purification
- Counterfeit Banknote Detection
- Ink Curing

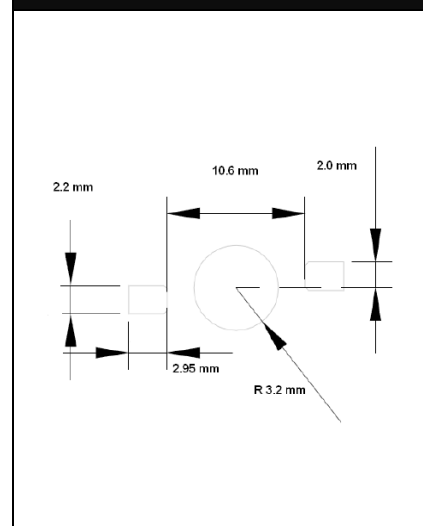
Electrical & Optical Characteristics (typ. at 350mA)

Order Code	Colour	WL (nm)	$2\theta_{1/2}$ (°)	P_O (mW)	V_F (V)	I_F (mA)	I_{MAX} (mA)
NOQ06S22-395	UV	390-400nm	140	140	3.4	350	700
NOQ06S22-405	UV	400-410nm	140	140	3.4	350	700

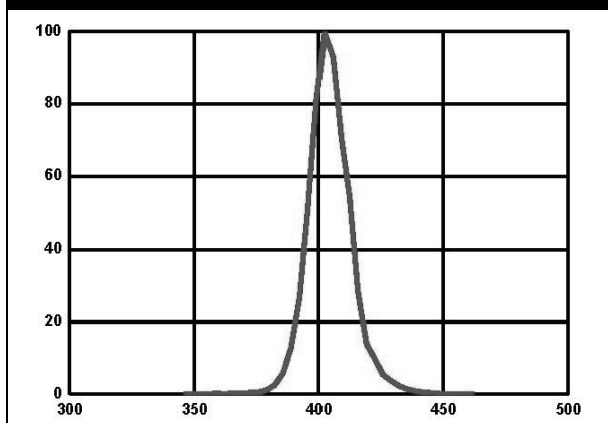
Package Dimensions (mm)



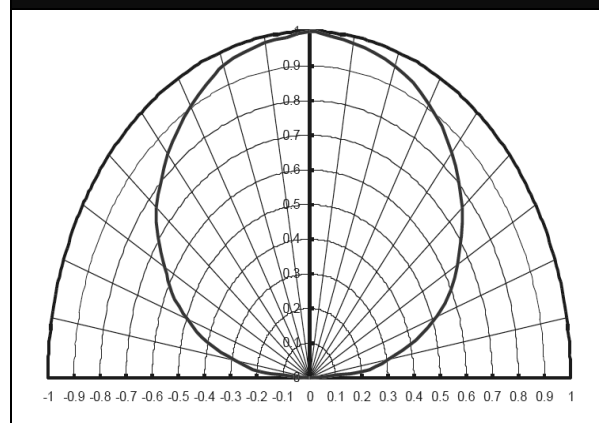
Recommended Solder Pattern



Relative Spectral Distribution



Directive Radiation



Ceramic LED

3535 1~2W 120°

365nm

395nm

415nm

385nm

405nm

425nm



Features:

- High Power LED
- High Radiant Power Output
- Top View
- Surface Mount Device
- Ceramic Substrate
- Single Die Package
- Silicone Lens

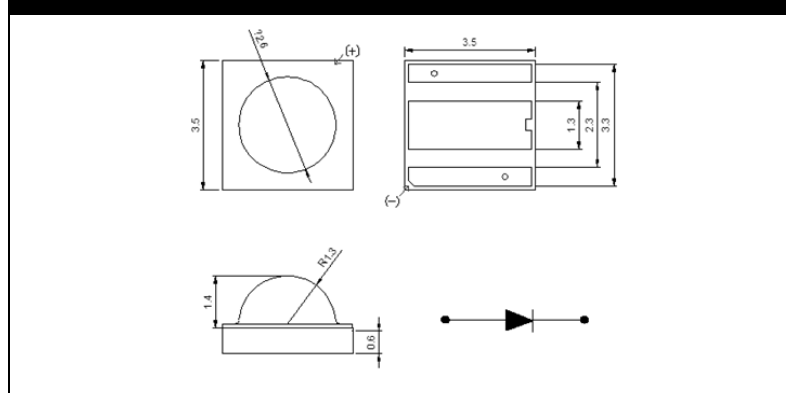
Applications:

- Photocatalysis Air Purification
- Counterfeit Banknote Detection
- Ink Curing
- Resin Curing

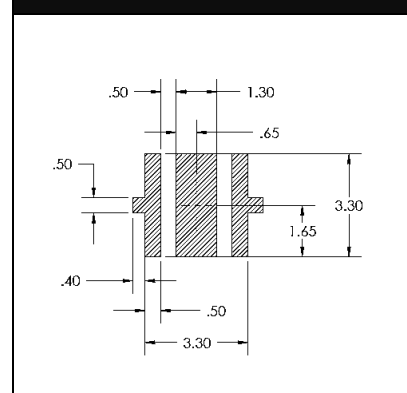
Electrical & Optical Characteristics (typ. at 500mA)

Order Code	Colour	WL (nm)	$2\theta_{1/2}$ (°)	P _O (mW)	V _F (V)	I _F (mA)	Zener
NOQ19S08	UV	365-370nm	120	450	3.7	500	-
NOQ10S95Z	UV	380-390nm	120	750	3.7	500	Yes
NOQ19S06	UV	380-390nm	120	750	3.7	500	-
NOQ10S93Z	UV	390-410nm	120	750	3.7	500	Yes
NOQ19S04	UV	390-410nm	120	750	3.7	500	-
NOQ19S02	UV	410-420nm	120	750	3.7	500	-
NOQ16S79Z	Purple	410-430nm	120	750	3.7	500	Yes

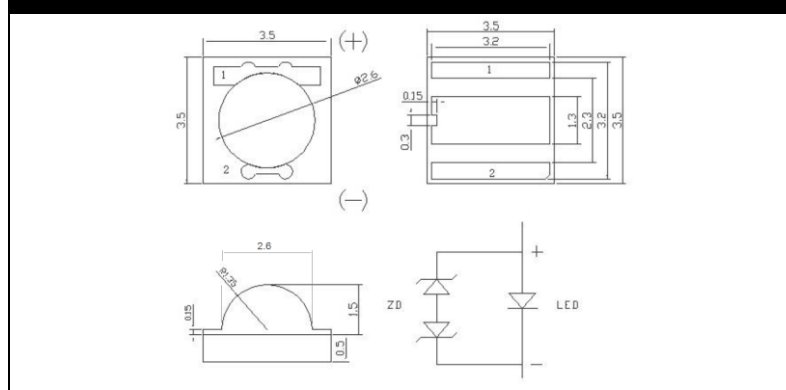
Package Dimensions (mm) - without Zeners



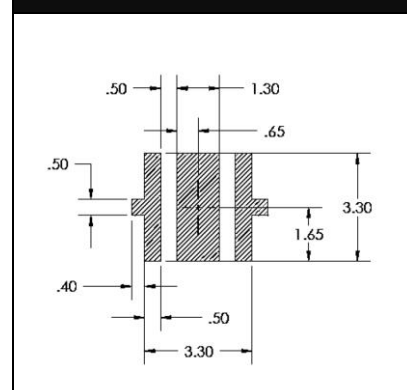
Recommended Solder Pattern



Package Dimensions (mm) - with Zeners



Recommended Solder Pattern



Ceramic LED

3535 1~2W 60°

365nm

395nm

415nm

385nm

405nm

425nm



Features:

- High Power LED
- High Radiant Power Output
- Top View
- Surface Mount Device
- Narrow Viewing Angle
- Ceramic Substrate
- Single Die Package
- Silicone Lens

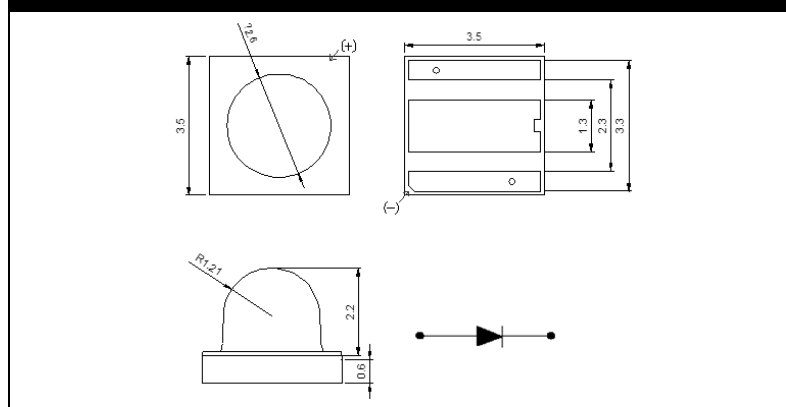
Applications:

- Photocatalysis Air Purification
- Counterfeit Banknote Detection
- Ink Curing
- Resin Curing

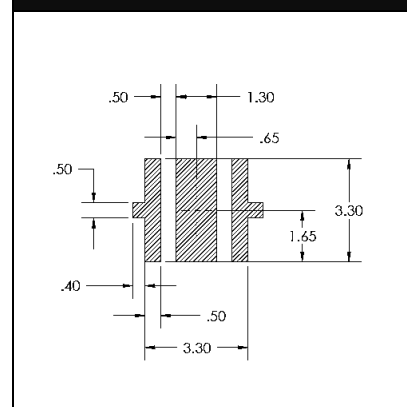
Electrical & Optical Characteristics (typ. at 500mA)

Order Code	Colour	WL (nm)	$2\theta_{1/2}$ (°)	P _O (mW)	V _F (V)	I _F (mA)	Zener
NOQ19S07	UV	365-370nm	60	450	3.7	500	-
NOQ10S96Z	UV	380-390nm	60	750	3.7	500	Yes
NOQ19S05	UV	380-390nm	60	750	3.7	500	-
NOQ10S94Z	UV	390-410nm	60	750	3.7	500	Yes
NOQ19S03	UV	390-410nm	60	750	3.7	500	-
NOQ19S01	UV	410-420nm	60	750	3.7	500	-
NOQ16S80Z	Purple	410-430nm	60	750	3.7	500	Yes

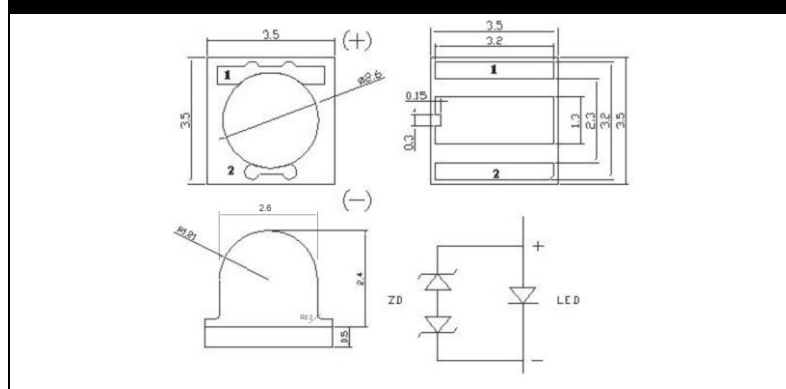
Package Dimensions (mm) - without Zeners



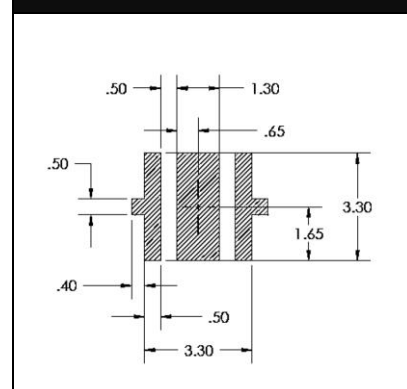
Recommended Solder Pattern



Package Dimensions (mm) - with Zeners



Recommended Solder Pattern



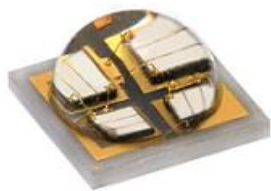
Ceramic LED

5252 Multi-Chips

395nm

385nm

405nm



Features:

- High Power LED
- High Radiant Power Output
- Top View
- Surface Mount Device
- Multi-chip Package
- Ceramic Substrate
- Silicone Lens

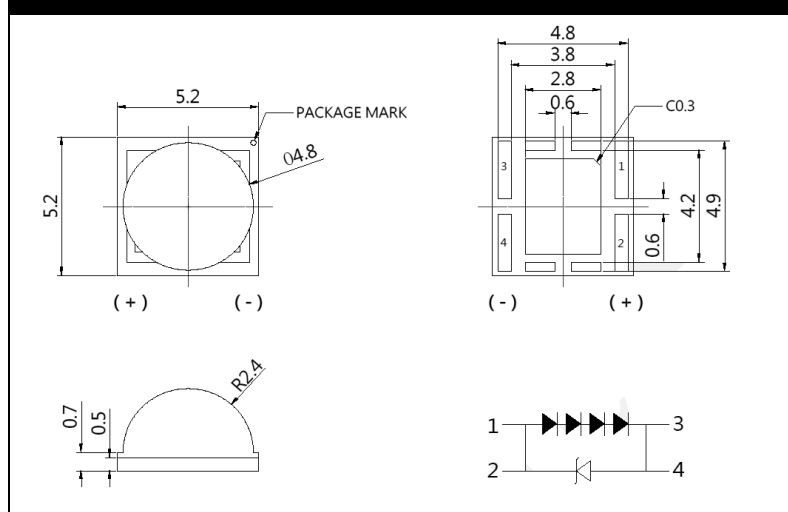
Applications:

- Photocatalysis Air Purification
- Counterfeit Banknote Detection
- Ink Curing

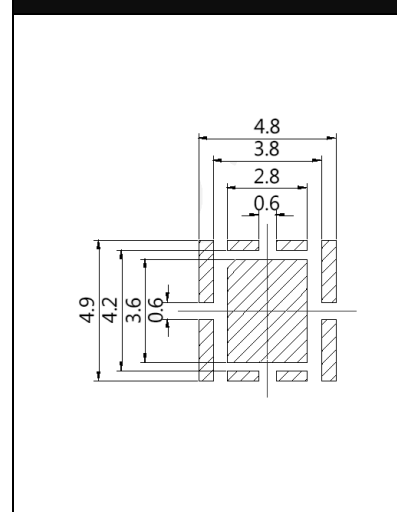
Electrical & Optical Characteristics (typ. at 500mA)

Order Code	Colour	WL (nm)	$2\theta_{1/2}$ (°)	P_O (mW)	V_F (V)	I_F (mA)	Zener
NOQ16S48Z	UV	380-390nm	140	2600	14.5	500	Yes
NOQ09S11Z-395	UV	390-400nm	140	2600	14.5	500	Yes
NOQ09S11Z-405	UV	400-410nm	140	2600	14.5	500	Yes

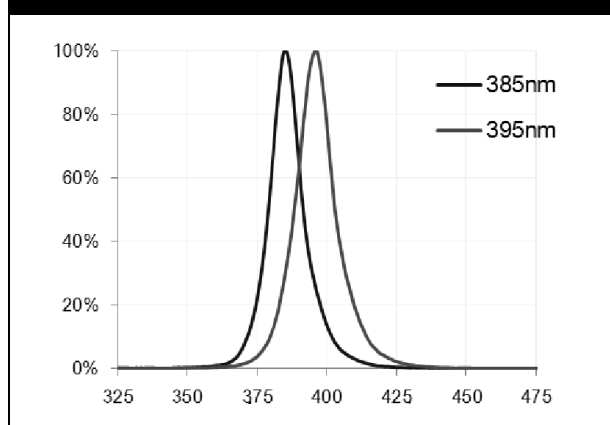
Package Dimensions (mm)



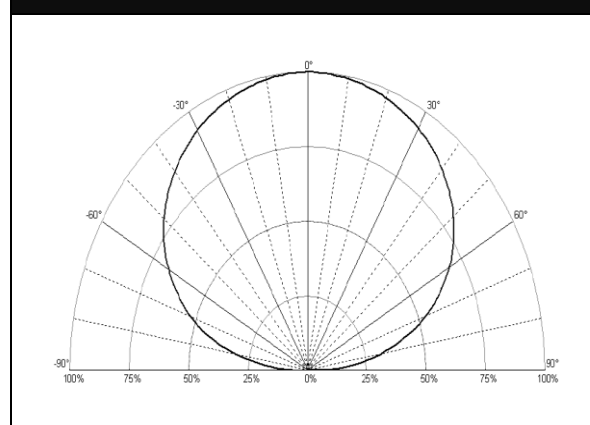
Recommended Solder Pattern



Relative Spectral Distribution



Directive Radiation



Ceramic LED

5252 Single Chip

385nm

405nm

365nm

395nm

415nm



Features:

- High Power LED
- High Radiant Power Output
- Top View
- Surface Mount Device
- Ceramic Substrate
- Single Die Package
- Silicone Lens

Applications:

- Photocatalysis Air Purification
- Counterfeit Banknote Detection
- Ink Curing
- Resin Curing

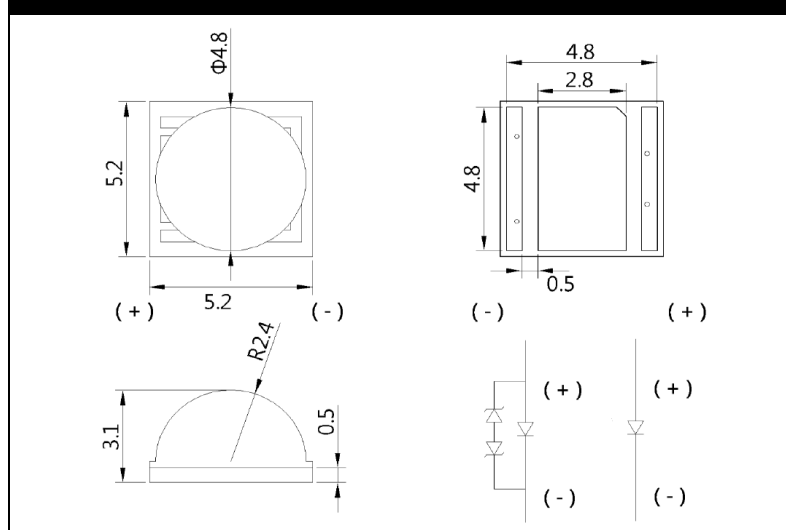
Electrical & Optical Characteristics (typ. at 500mA)

Order Code	Colour	WL (nm)	$2\theta_{1/2}$ (°)	P_O (mW)	V_F (V)	I_F (mA)	Zener
NOQ27S05	UV	365-370nm	125	800	3.8	500	-
NOQ27S04	UV	380-390nm	125	800	3.8	500	-
NOQ27S03	UV	390-400nm	125	800	3.8	500	-
NOQ27S02	UV	400-410nm	125	800	3.8	500	-
NOQ27S01	UV	410-420nm	125	800	3.8	500	-

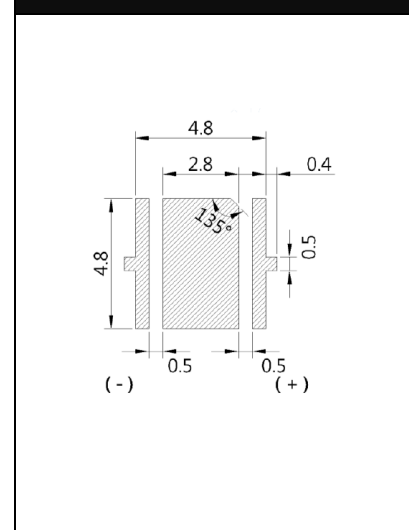
Electrical & Optical Characteristics (typ. at 1A)

Order Code	Colour	WL (nm)	$2\theta_{1/2}$ (°)	P_O (mW)	V_F (V)	I_F (mA)	Zener
NOQ26S77Z	UV	380-390nm	135	1500	3.6	1000	Yes
NOQ27S13Z	UV	380-390nm	130	2600	4.0	1000	Yes
NOQ26S78Z-395	UV	390-400nm	135	1550	3.6	1000	Yes
NOQ27S12Z	UV	390-400nm	130	2600	4.0	1000	Yes
NOQ26S78Z-405	UV	400-410nm	135	1550	3.6	1000	Yes
NOQ27S11Z	UV	400-410nm	130	2600	4.0	1000	Yes
NOQ27S10Z	UV	410-420nm	130	2600	4.0	1000	Yes

Package Dimensions (mm)



Recommended Solder Pattern



Ceramic LED

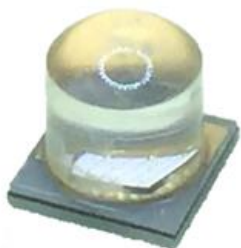
5252 60° 5.2t

385nm

405nm

395nm

415nm



Features:

- High Power LED
- High Radiant Power Output
- Top View
- Surface Mount Device
- Ceramic Substrate
- Single Die Package
- Narrow Viewing Angle
- Silicone Lens

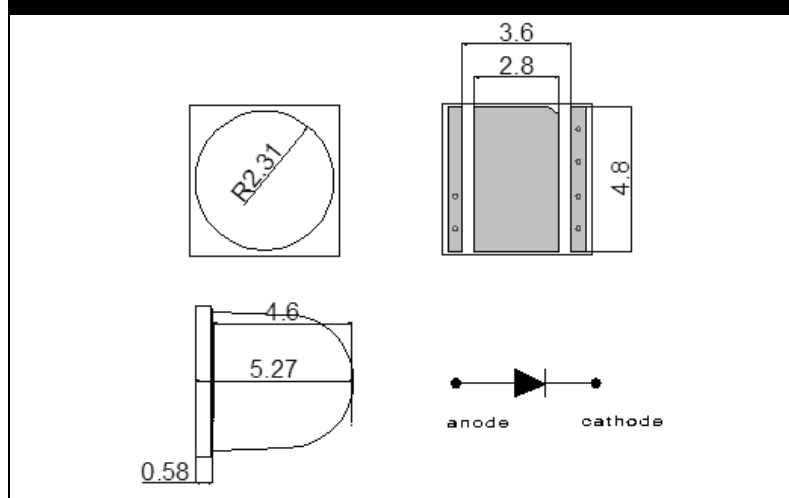
Applications:

- Photocatalysis Air Purification
- Counterfeit Banknote Detection
- Ink Curing

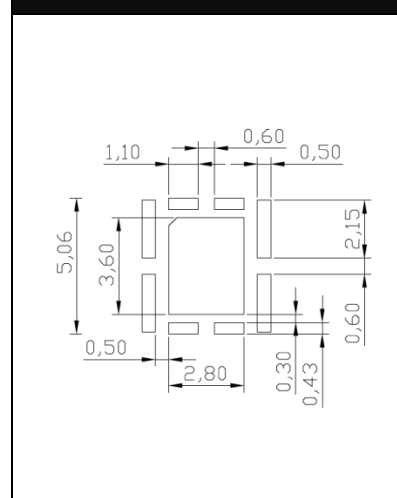
Electrical & Optical Characteristics

Order Code	Colour	WL (nm)	$2\theta_{1/2}$ (°)	P _O (mW)	V _F (V)	I _F (mA)	Zener
NOQ27S09	UV	380-390nm	60	1300	4.0	1400	-
NOQ27S08	UV	390-400nm	60	1300	4.0	1400	-
NOQ27S07	UV	400-410nm	60	1300	4.0	1400	-
NOQ27S06	UV	410-420nm	60	1300	4.0	1400	-

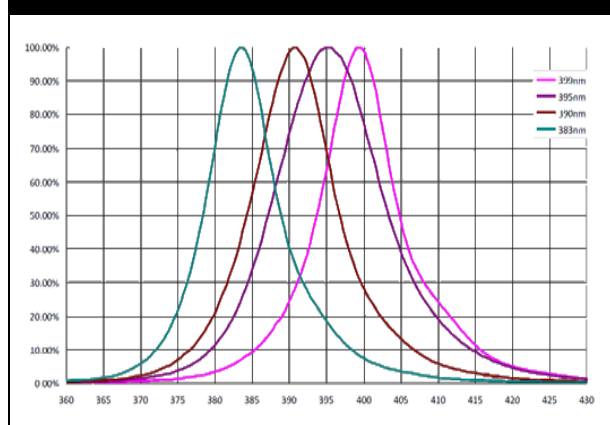
Package Dimensions (mm)



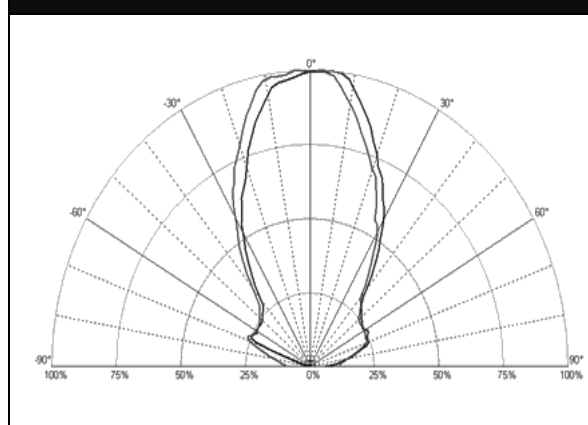
Recommended Solder Pattern



Relative Spectral Distribution



Directive Radiation



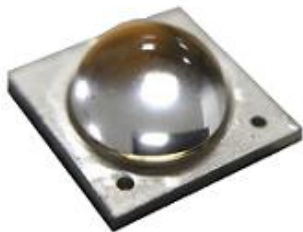
Ceramic LED

6868 Dom 3.7t

385nm

365nm

395nm



Features:

- High Power LED
- High Radiant Power Output
- Top View
- Surface Mount Device
- Ceramic Substrate
- Single or Multi-Chip Solution
- Quartz Glass Lens

Applications:

- Photocatalysis Air Purification
- Counterfeit Banknote Detection
- Ink Curing
- Resin Curing

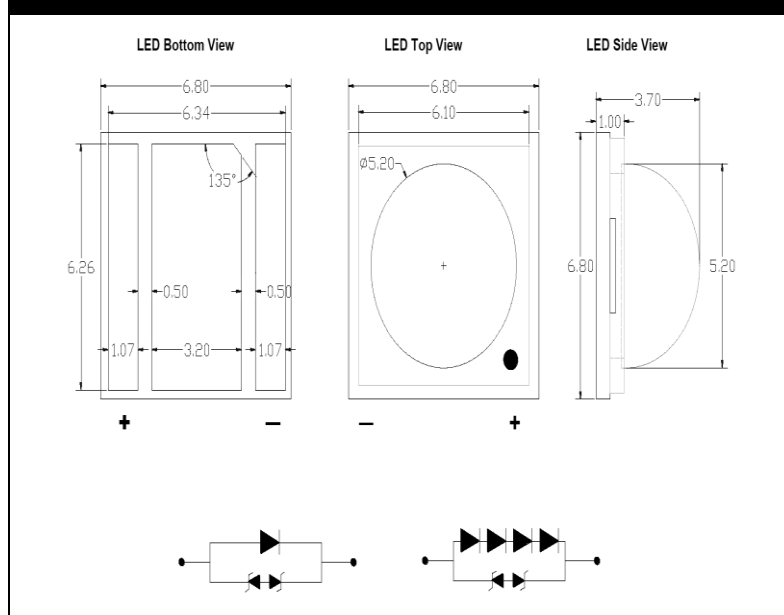
Electrical & Optical Characteristics (typ. at 3.8V / 1000mA)

Order Code	Colour	WL (nm)	$2\theta_{1/2}$ (°)	P _O (mW)	V _F (V)	I _F (mA)	Zener
NOQ18S81Z	UV	365-370nm	60	700	3.8	1000	Yes
NOQ18S83Z	UV	380-390nm	60	1600	3.8	1000	Yes
NOQ18S85Z	UV	390-400nm	60	1600	3.8	1000	Yes

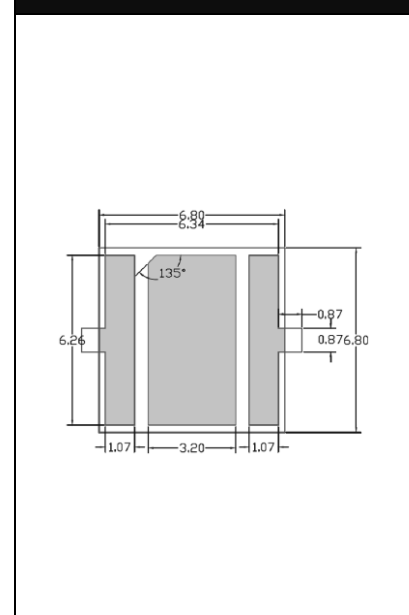
Electrical & Optical Characteristics (typ. at 15.2V / 500mA)

Order Code	Colour	WL (nm)	$2\theta_{1/2}$ (°)	P _O (mW)	V _F (V)	I _F (mA)	Zener
NOQ18S93Z	UV	365-370nm	60	1000	15.2	500	Yes
NOQ18S95Z	UV	380-390nm	60	1900	15.2	500	Yes
NOQ18S97Z	UV	390-400nm	60	1900	15.2	500	Yes

Package Dimensions (mm)



Recommended Solder Pattern



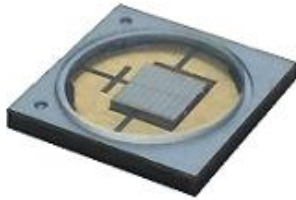
Ceramic LED

6868 Flat 1.3t

385nm

365nm

395nm






Features:

- High Power LED
- High Radiant Power Output
- Top View
- Surface Mount Device
- Ceramic Substrate
- Single or Multi-Chip Solution
- Flat Surface
- Quartz Glass Lens




Applications:

- Photocatalysis Air Purification
- Counterfeit Banknote Detection
- Ink Curing
- Resin Curing

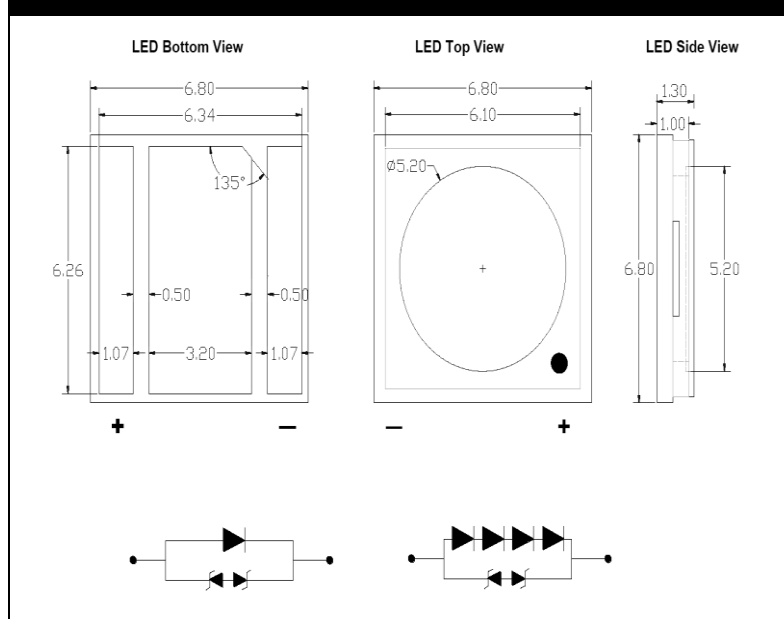
Electrical & Optical Characteristics (typ. at 3.8V / 1000mA)

Order Code	Colour	WL (nm)	$2\theta_{1/2}$ (°)	Φ_V (lm)	V_F (V)	I_F (mA)	Zener
NOQ18S82Z	UV 	365-370nm	120	700	3.8	1000	Yes
NOQ18S84Z	UV 	380-390nm	120	1600	3.8	1000	Yes
NOQ18S86Z	UV 	390-400nm	120	1600	3.8	1000	Yes

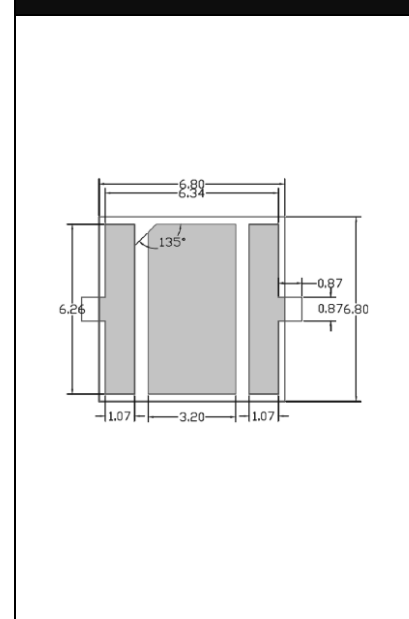
Electrical & Optical Characteristics (typ. at 15.2V / 500mA)

Order Code	Colour	WL (nm)	$2\theta_{1/2}$ (°)	Φ_V (lm)	V_F (V)	I_F (mA)	Zener
NOQ18S94Z	UV 	365-370nm	120	1000	15.2	500	Yes
NOQ18S96Z	UV 	380-390nm	120	1900	15.2	500	Yes
NOQ18S98Z	UV 	390-400nm	120	1900	15.2	500	Yes

Package Dimensions (mm)



Recommended Solder Pattern

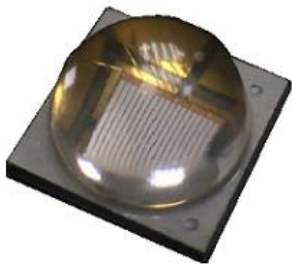


Ceramic LED with 9090 4.05t

385nm

365nm

395nm



Features:

- High Power LED
- High Radiant Power Output
- Top View
- Surface Mount Device
- Ceramic Substrate
- Single Die Package
- Quartz Glass Lens

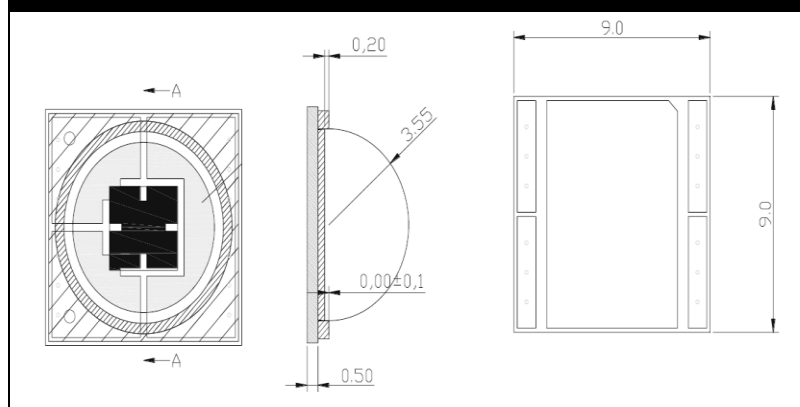
Applications:

- Photocatalysis Air Purification
- Counterfeit Banknote Detection
- Ink Curing
- Resin Curing

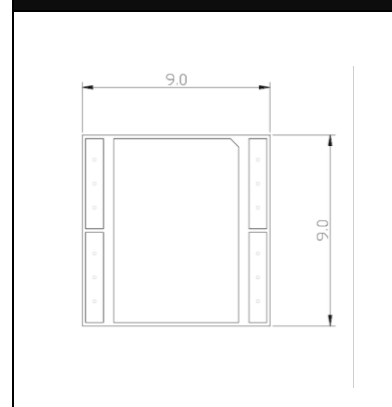
Electrical & Optical Characteristics

Order Code	Colour	WL (nm)	$2\theta_{1/2}$ (°)	Φ_V (lm)	V_F (V)	I_F (mA)	Zener
NOQ28S79	UV ■	365-370nm	60	3000	4.4	4000	-
NOQ28S80	UV ■	380-390nm	60	4500	4.4	4000	-
NOQ28S81	UV ■	390-400nm	60	4500	4.4	4000	-

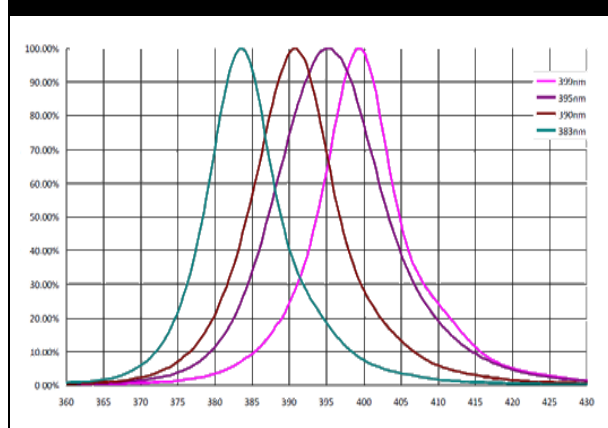
Package Dimensions (mm)



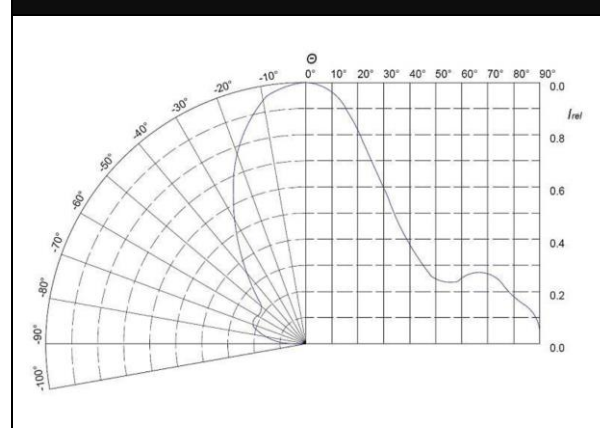
Recommended Solder Pattern



Relative Spectral Distribution



Directive Radiation





BRIGHTTEK

BRIGHTTEK (EUROPE) LIMITED

Brightek (Europe) Limited
5 Cochrane House, Admirals Way
London E14 9UD United Kingdom
Tel: +44 20 8776 3507
Email: sales@brightekeurope.com

www.brightekeurope.com

Our products are distributed by:

