



BRIGHTTEK
BRIGHTTEK (EUROPE) LIMITED

BRIGHTTEK

2016 Catalogue

- **SMD: RGB**

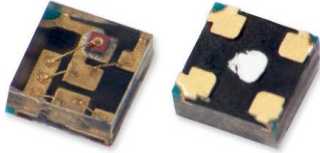
Multi Colours

Multi Colours

- 0404 (1010)15
- 0606 (1615)16
- 0805 (2012)17
- 0807 (2018)18
- 1209 (3224)19
- 1210 (3227)20
- 352822-23
- 353524
- 505025
- 525226-27

PCB / CHIP LED

0404 (1010) RGB



Features:

- Low Power LED
- Top View
- Multi-Colour
- Flat Lens
- Black PCB Material
- Compatible Package
- High Efficiency
- Excellent White Balance

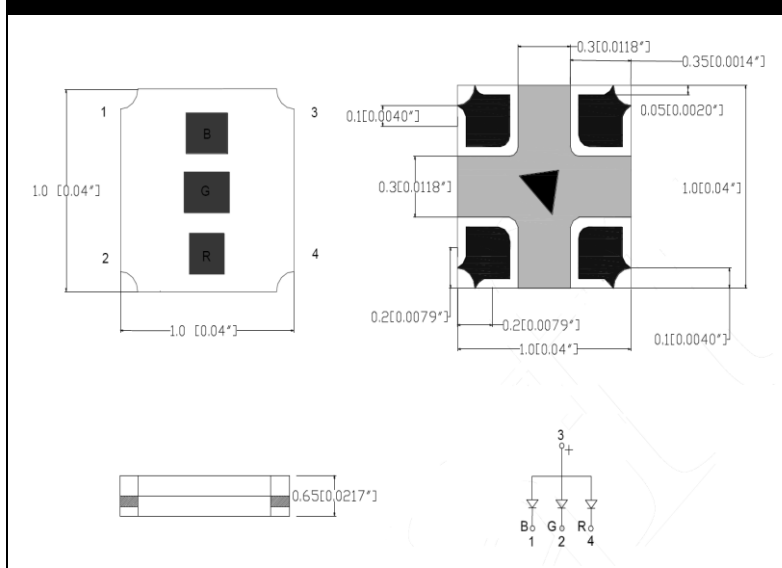
Applications:

- Decorative Lighting
- HD Display
- Indication Lamps
- 3C Consumer Goods

Colour Electrical & Optical Characteristics (typ. at 20mA)

Order Code	Colour	WL (nm)	$2\theta_{1/2}$ (°)	I_V (mcd)	V_F (V)	I_F (mA)
NOM12S63	Red/Green/Blue ■ ■ ■	622/531/470nm	140	60/95/17	2.1/3.1/3.1	10/5/5
NOM12S82	Red/Green/Blue ■ ■ ■	627/527/463nm	120	150/320/70	1.9/3.2/3.2	20/20/20
NOM00S70	Red/Green/Blue ■ ■ ■	622/527/470nm	120	150/320/70	1.9/3.2/3.2	20/20/20

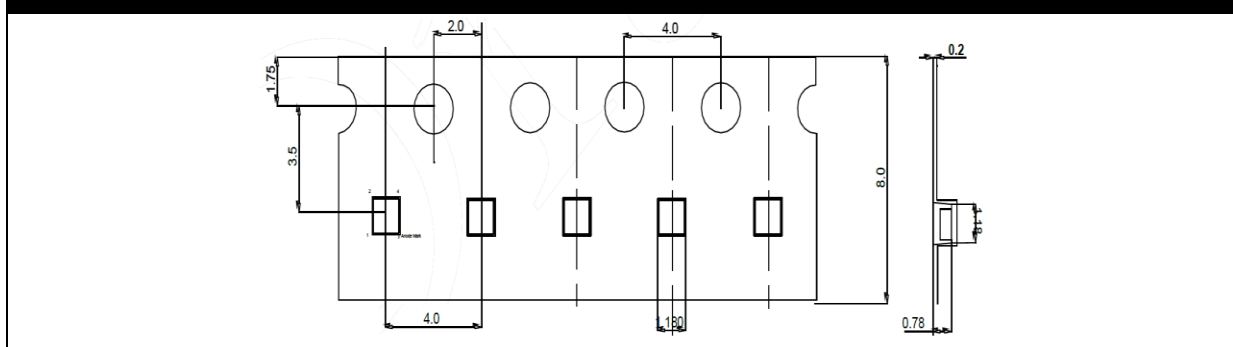
Package Dimensions (mm)



Recommended Solder Pattern



Packing Dimensions (mm)



PCB / CHIP LED

0606 (1615) Multi Colours









Features:

- Low Power LED
- Top View
- Multi Colours
- Compatible Package
- High Efficiency
- High Lumen Output
- Large Emitting Area

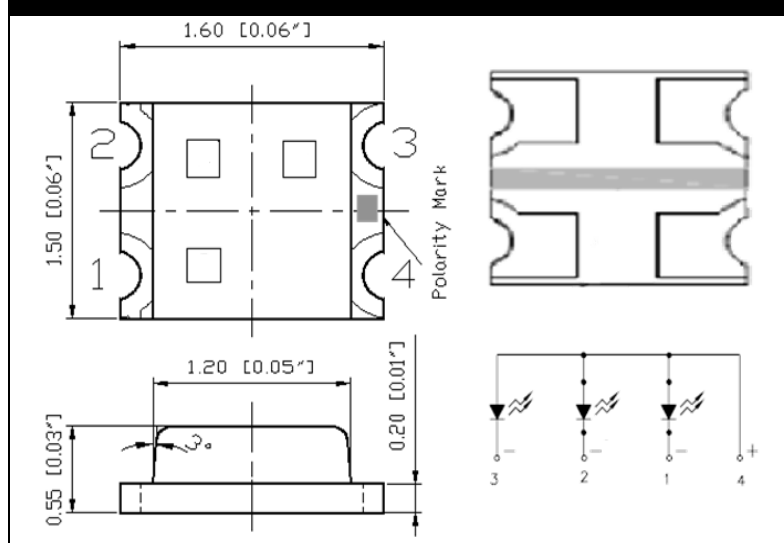
Applications:

- Indication Lamps
- Decoration Light
- 3C Consumer Goods
- Backlighting
- Light Strip

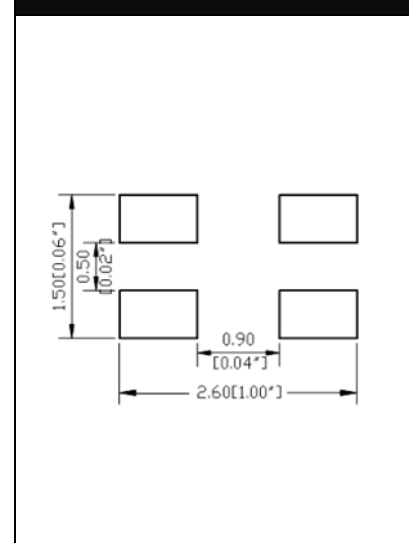
Colour Electrical & Optical Characteristics

Order Code	Colour	WL (nm)	$2\theta_{1/2}$ (°)	I_v (mcd)	V_f (V)	I_f (mA)
NOM16S65	Red/Green/Blue 	620/570/467nm	140	42/11/37	1.9/1.9/2.8	5/5/5
NOM01S15	Red/Green/Blue 	625/530/470nm	140	45/200/35	2.0/3.0/2.9	5/5/5
NOM00S03	Red/Green/Blue 	623/523/465nm	120	130/390/40	2.1/3.0/3.0	20/15/10
NOM11S81	Red/Green/Blue 	620/520/470nm	140	125/380/75	2.0/3.4/3.1	20/20/20
NOM25S63	Red/Green/Blue 	625/525/470nm	140	140/450/220	2.1/3.2/3.2	20/20/20
NOM11S82	Red/Yellow/Green 	640/590/570nm	140	60/150/12	2.0/2.0/2.0	20/20/20

Package Dimensions (mm)



Recommended Solder Pattern



PCB / CHIP LED

0805 (2012) RGB




Features:

- Low Power LED
- Top View
- Dual Colour / RGB
- Compatible Package
- High Efficiency
- High Lumen Output
- Large Emitting Area

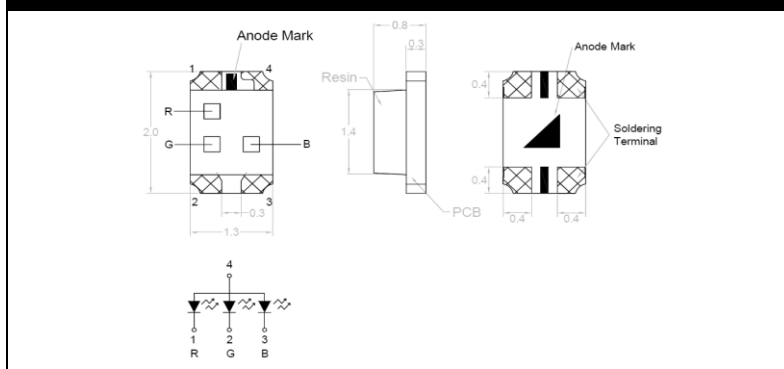
Applications:

- Indication Lamps
- Decoration Light
- 3C Consumer Goods
- Light Strip

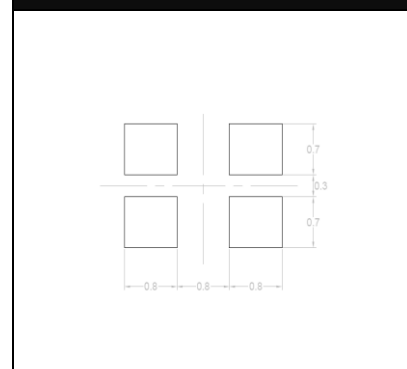
RGB Electrical & Optical Characteristics (typ. at 20mA)

Order Code	Colour	WL (nm)	$2\theta_{1/2}$ (°)	I_V (mcd)	V_F (V)	I_F (mA)
NOM25S67	Red/Green/Blue 	630/525/470nm	120	100/500/125	1.9/3.2/3.2	20/20/20

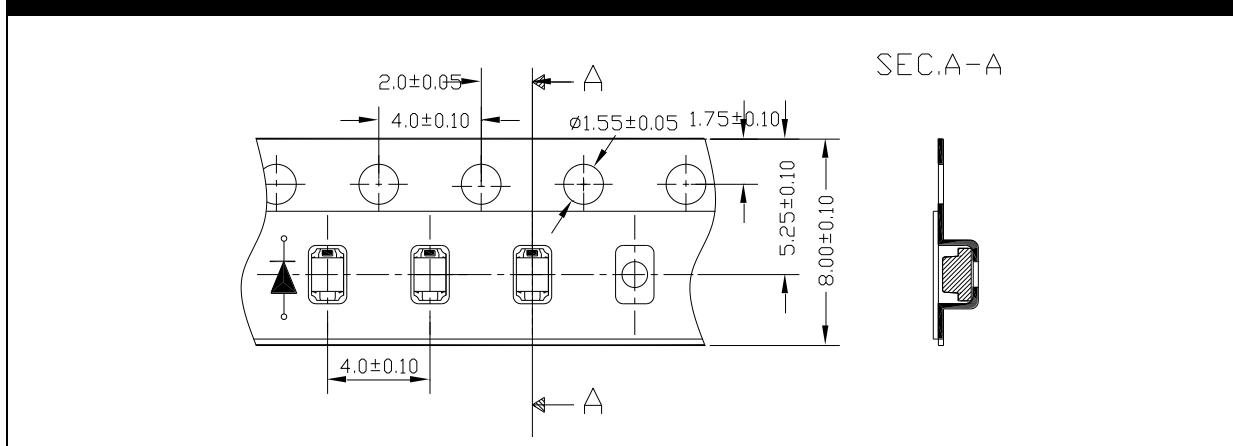
Package Dimensions (mm)



Recommended Solder Pattern



Packing Dimensions (mm)



PCB / CHIP LED

0807 (2018) RGB



Features:

- Low Power LED
- Top View
- Dual Colour / RGB
- Compatible Package
- High Efficiency
- High Lumen Output
- Large Emitting Area

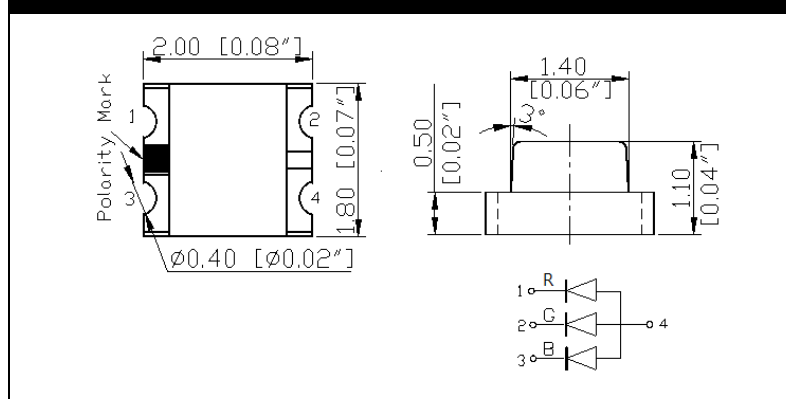
Applications:

- Indication Lamps
- Decoration Light
- 3C Consumer Goods
- Light Strip

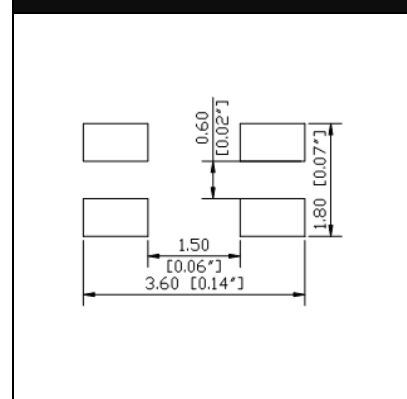
Colour Electrical & Optical Characteristics (typ. at 20mA)

Order Code	Colour	WL (nm)	$2\theta_{1/2}$ (°)	I_V (mcd)	V_F (V)	I_F (mA)
N0M11S84	Red/Green/Blue ■ ■ ■	620/525/470nm	140	150/540/95	2.0/3.1/3.1	20/20/20

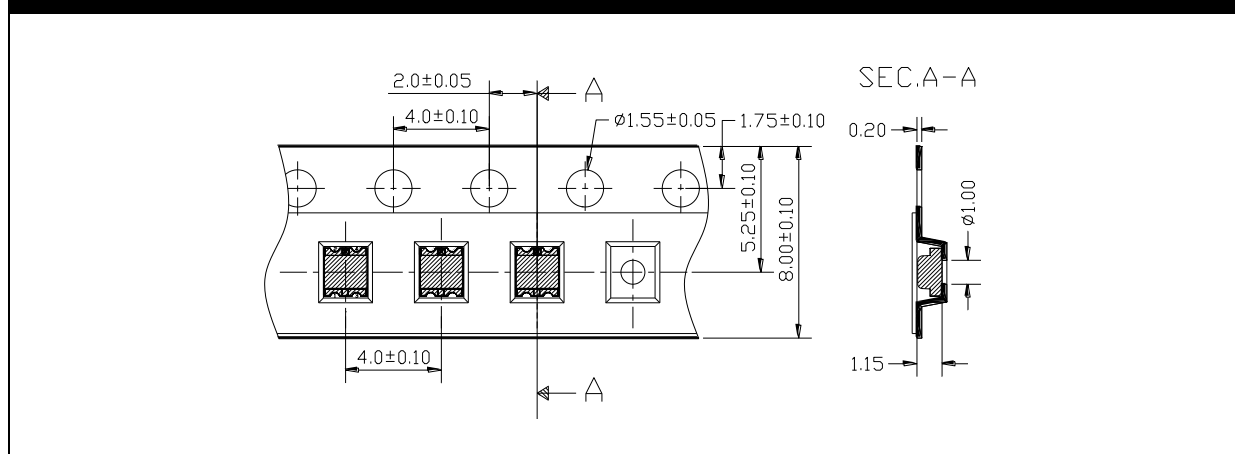
Package Dimensions (mm)



Recommended Solder Pattern



Packing Dimensions (mm)



PCB / CHIP LED

1209 (3224) RGB



Features:

- Low Power LED
- Top View
- Narrow Viewing Angle
- Dual Colour / RGB
- Compatible Package
- High Efficiency
- High Lumen Output
- Large Emitting Area

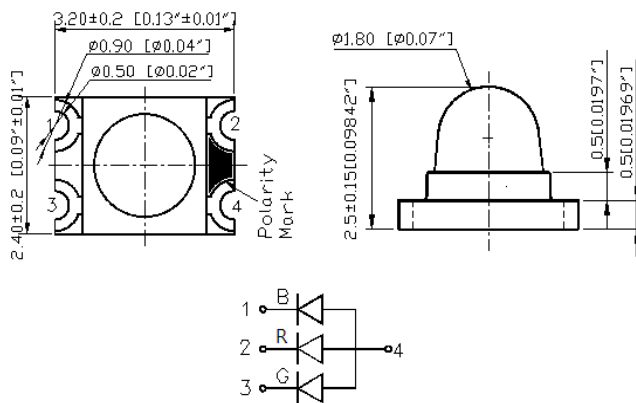
Applications:

- Indication Lamps
- Decoration Light
- 3C Consumer Goods
- Light Strip

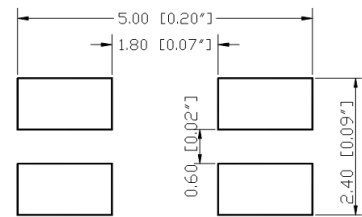
Colour Electrical & Optical Characteristics (typ. at 20mA)

Order Code	Colour	WL (nm)	2 $\theta_{1/2}$ (°)	I _v (mcd)	V _f (V)	I _f (mA)
NOM11S91	Red/Green/Blue ■ ■ ■	620/525/470nm	60	160/460/65	2.0/3.1/3.1	20/20/20

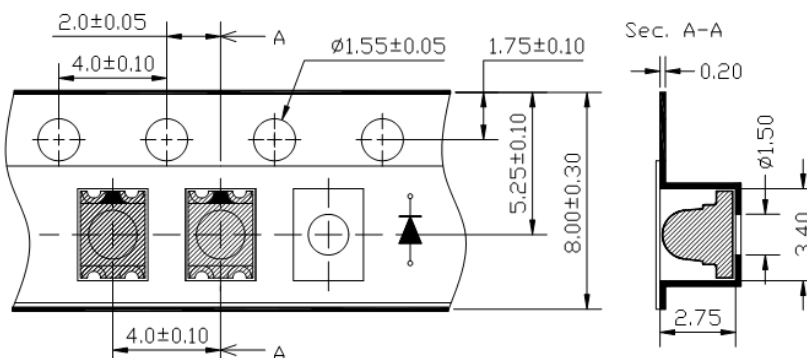
Package Dimensions (mm)



Recommended Solder Pattern



Packing Dimensions (mm)



PCB / CHIP LED

1210 (3227) Multi Colours



Features:

- Low Power LED
- Top View
- Dual Colour / RGB
- Compatible Package
- High Efficiency
- High Lumen Output
- Large Emitting Area

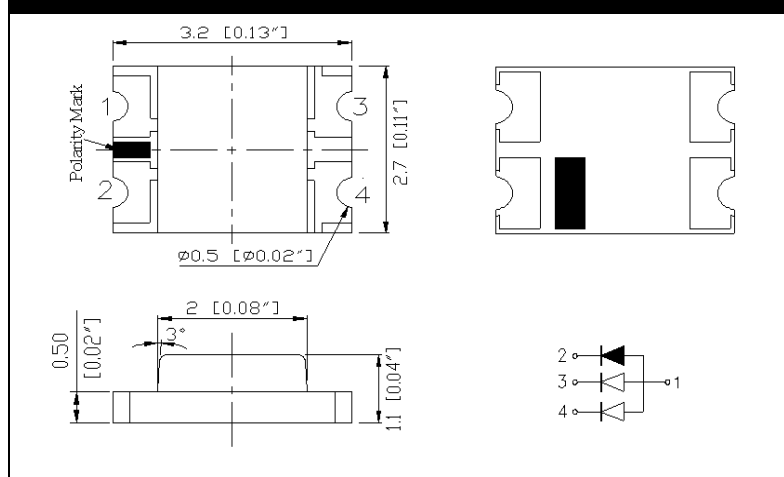
Applications:

- Indication Lamps
- Decoration Light
- 3C Consumer Goods
- Light Strip

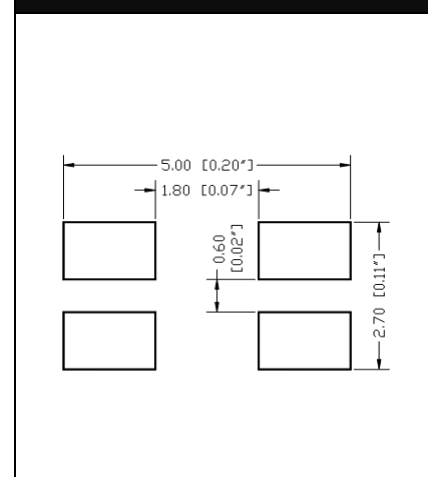
Colour Electrical & Optical Characteristics

Order Code	Colour	WL (nm)	$2\theta_{1/2}$ (°)	I_v (mcd)	V_F (V)	I_F (mA)
NOM11S89	Red/Yellow/Green	620/590/570	140	140/140/35	2.0/2.0/2.0	20/20/20
NOM11S87	Red/Green/Blue	622/625/470	140	180/340/120	2.0/3.2/3.2	20/20/20
NOM11S88	Red/Green/Blue	620/625/470	140	160/470/90	2.0/3.1/3.1	20/20/20

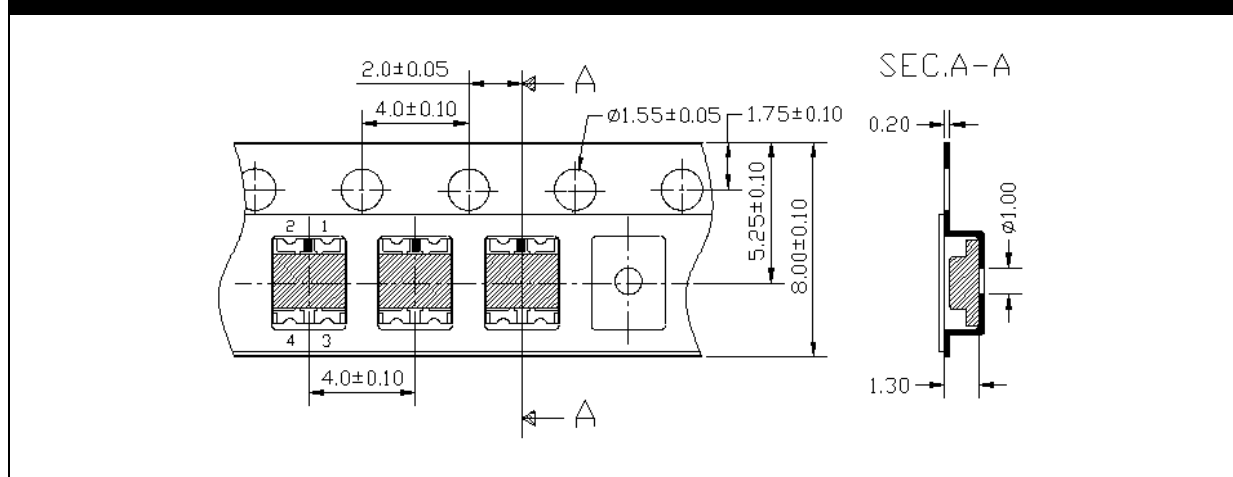
Package Dimensions (mm)



Recommended Solder Pattern

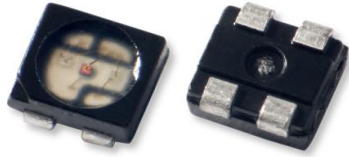


Packing Dimensions (mm)



PLCC4 LED

2121 RGB



Features:

- Low Power LED
- Top View
- Black Package
- Excellent White Balance
- Compatible Package
- High Efficiency
- High Lumen Output

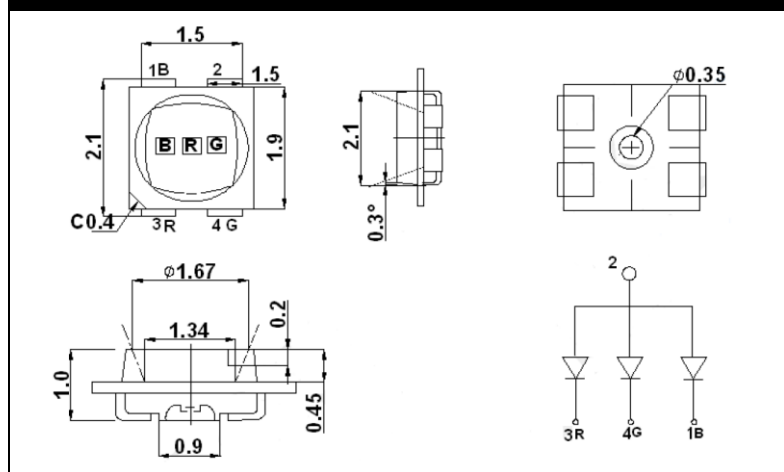
Applications:

- HD Display
- Commercial Lighting
- Decorative Lighting
- Indication Light
- 3C Product

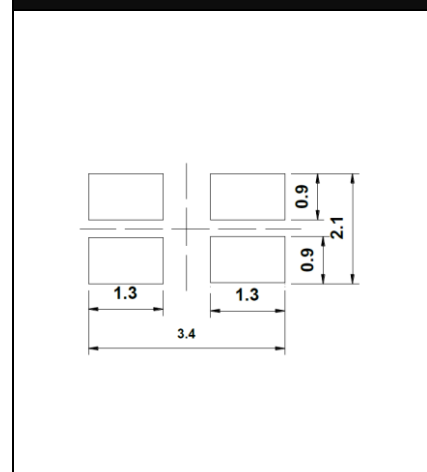
Colour Electrical & Optical Characteristics

Order Code	Colour	WL (nm)	$2\theta_{1/2}$ (°)	I_v (mcd)	V_f (V)	I_f (mA)
NOM11S40BF	Red/Green/Blue ■ ■ ■	625/525/470	120	150/430/100	1.9/3.2/3.2	20/20/20

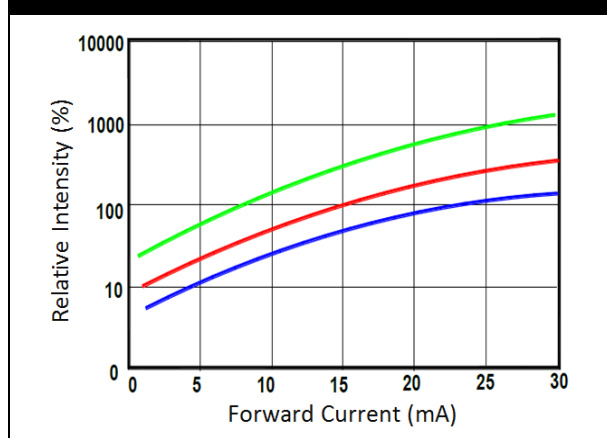
Package Dimensions (mm)



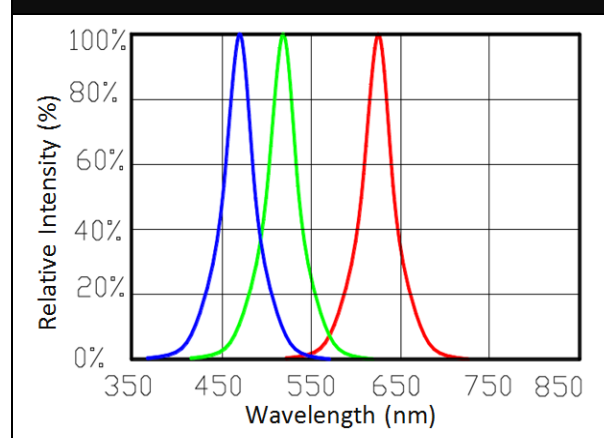
Recommended Solder Pattern



Relative Luminous Flux v.s. Forward Current



Relative Spectral Distribution



PLCC4 LED

3528 1.9t RGB



Features:

- Mid Power LED
- Top View
- Various Colour
- Dual Colour / RGB
- Compatible Package
- High Efficiency
- High Lumen Output
- Large Emitting Area

Applications:

- Commercial Lighting
- Decorative Lighting
- Information Board
- LED Display
- Light Strip

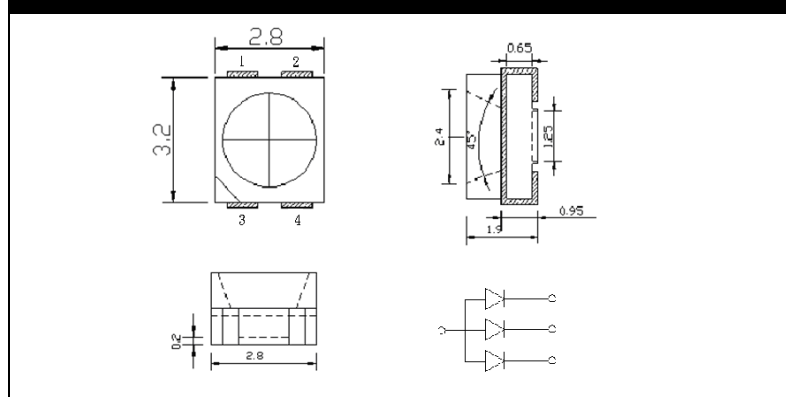
RGB Electrical & Optical Characteristics White Package

Order Code	Colour	WL (nm)	$2\theta_{1/2}$ (°)	I_V (mcd)	V_F (V)	I_F (mA)
N0M18S11	Red/Green/Blue ■ ■ ■	620/525/470	120	230/970/150	2.0/3.1/3.1	20/20/20

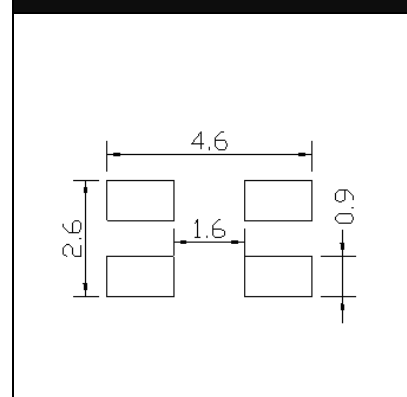
RGB Electrical & Optical Characteristics Black Surface Package

Order Code	Colour	WL (nm)	$2\theta_{1/2}$ (°)	I_V (mcd)	V_F (V)	I_F (mA)
N0M03S72BS	Red/Green/Blue ■ ■ ■	622/527/467	120	235/1000/235	2.1/3.2/3.2	20/20/20

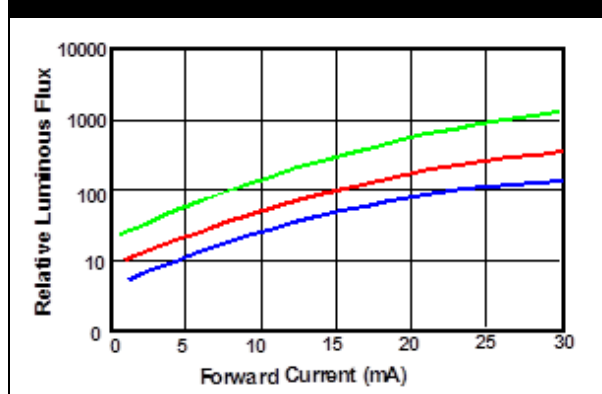
Package Dimensions (mm)



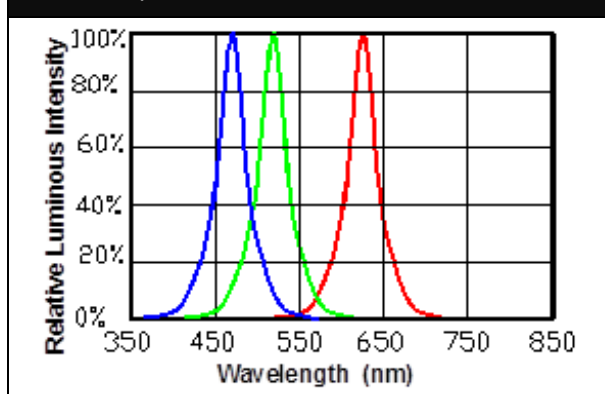
Recommended Solder Pattern



Relative Luminous Flux v.s. Forward Current

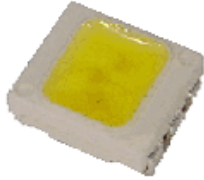


Relative Spectral Distribution



PLCC6 LED

3528 0.3W Multi Colours






Features:

- Mid Power LED
- Top View
- Various Colours
- Multi-Chip Package
- High Efficiency
- Compatible Package
- High Lumen Output
- Large Emitting Area

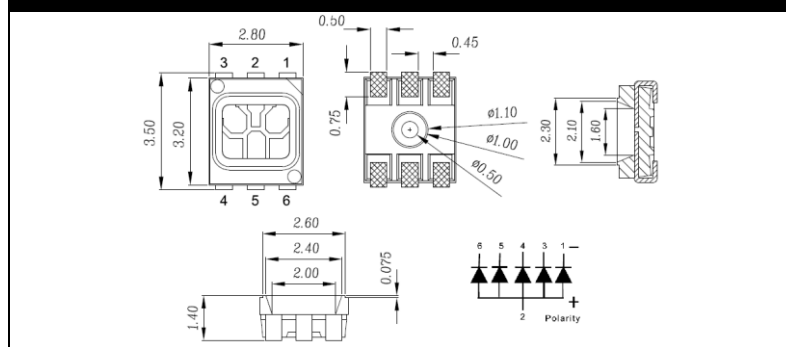
Applications:

- Commercial Lighting
- Decorative Lighting
- Light Strip

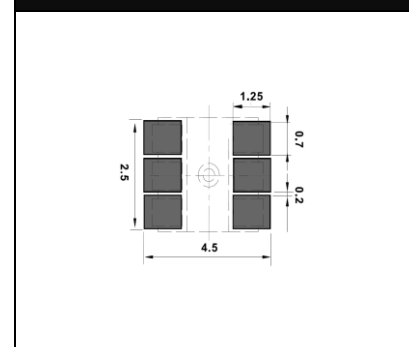
Colour Electrical & Optical Characteristics

Order Code	Colour	WL (nm)	$2\theta_{1/2}$ (°)	I_v (mcd)	V_F (V)	I_F (mA)
NOM25S12	IR/IR/R/G/B 	940/850/625/525/440	120	750/900/350/650/230	1/1/2/3/3	20*5
NOM25S13	IR/IR/R/G/B 	940/850/630/520/430	120	5/7/13/10/21	1/1/2/3/3	20*5
NOM25S14	IR/IR/R/G/B 	940/850/630/520/430	120	5/7/13/7/16	1/1/2/3/3	20*5

Package Dimensions (mm)



Recommended Solder Pattern



PLCC6 LED

3535 RGB



Features:

- Mid Power LED
- Top View
- Black Housing
- Excellent White Balance
- Compatible Package
- High Efficiency
- High Lumen Output
- Large Emitting Area

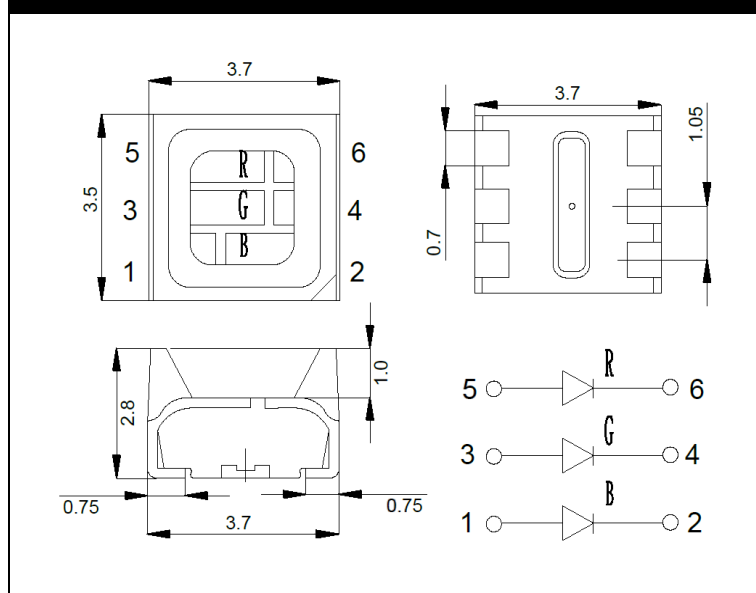
Applications:

- Commercial Lighting
- Decorative Lighting
- Indication Light
- LED Display
- Signal Board
- Light Strip

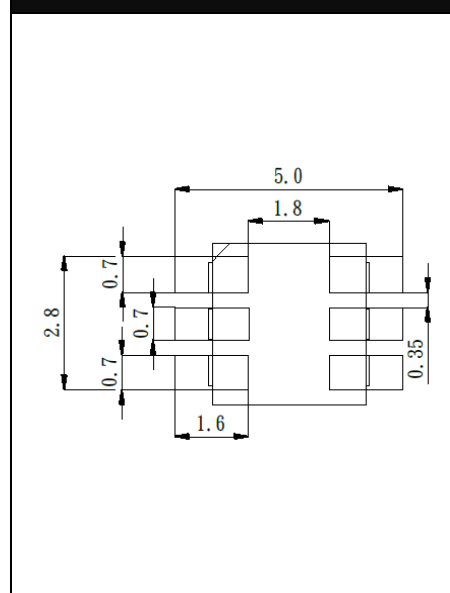
Colour Electrical & Optical Characteristics

Order Code	Colour	WL (nm)	$2\theta_{1/2}$ (°)	I_v (mcd)	V_f (V)	I_f (mA)
NOM18S90BF	Red/Green/Blue ■ ■ ■	625/525/470	120	710/1730/330	2.1/3.2/3.2	20/20/20

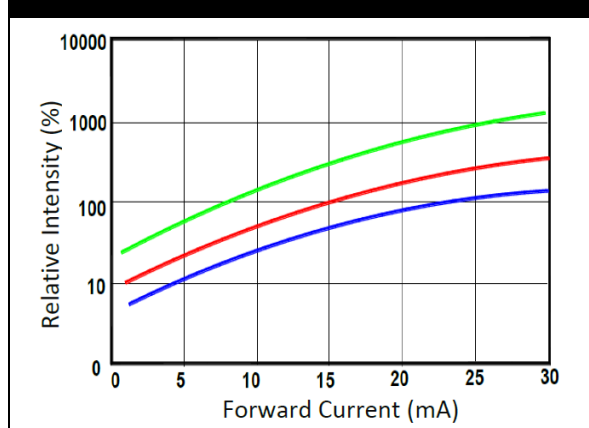
Package Dimensions (mm)



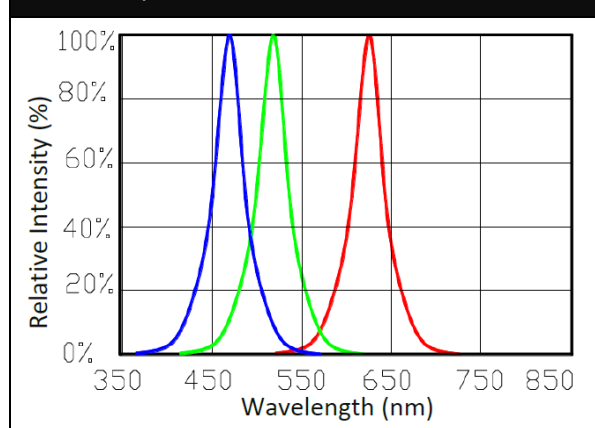
Recommended Solder Pattern



Relative Luminous Flux v.s. Forward Current



Relative Spectral Distribution



PLCC6 LED

5050 0.2W RGB



Features:

- Mid Power LED
- Top View
- Various Colour
- Single / Multi-Colours
- Compatible Package
- High Efficiency
- High Lumen Output
- Large Emitting Area

Applications:

- Commercial Lighting
- Decorative Lighting
- Information Board
- LED Display
- LED Light Strip
- LED Light Bar

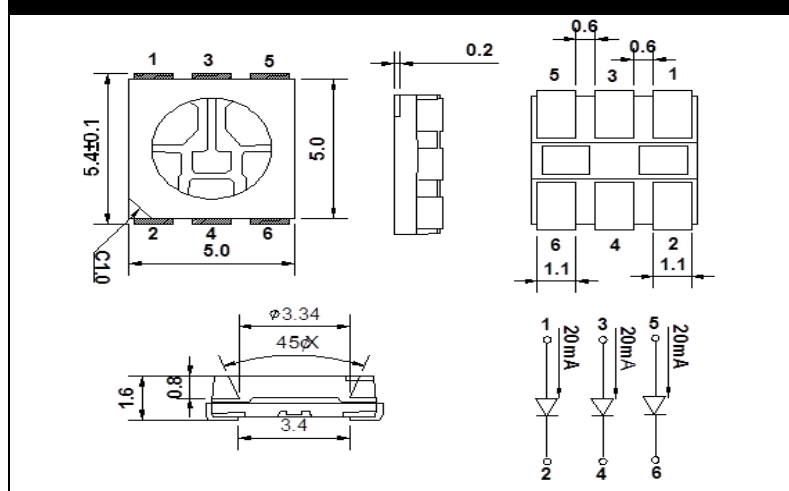
Colour Electrical & Optical Characteristics (typ. at 20mA) White Package

Order Code	Colour	WL (nm)	2 $\theta_{1/2}$ (°)	I _V (mcd)	V _F (V)	I _F (mA)
NOM03S95	Red/Green/Blue	622/527/468nm	120	700/1750/320	2/3.2/3.2	20/20/20
NOM18S28	Red/Green/Blue	630/520/465nm	120	160/1000/160	2.0/3.3/3.2	20/20/20

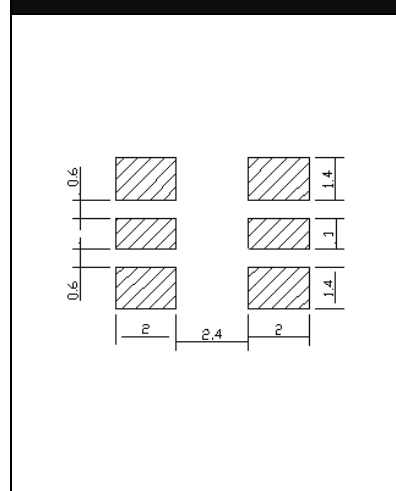
Colour Electrical & Optical Characteristics (typ. at 20mA) Black Surface Package

Order Code	Colour	WL (nm)	2 $\theta_{1/2}$ (°)	I _V (mcd)	V _F (V)	I _F (mA)
NOM03S88BS	Red/Green/Blue	623/525/470nm	120	860/1650/350	1.9/3.2/3.2	20/20/20

Package Dimensions (mm)

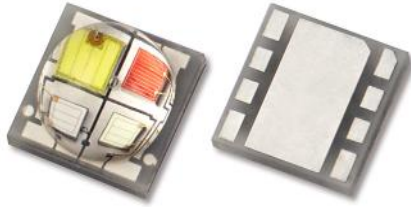


Recommended Solder Pattern



Ceramic LED

5252 4W WRGB/ARGB/YRGB Dom Lens



Features:

- High Power LED
- Top View
- AlN Ceramic Package
- Multi Colours
- Compatible Package
- High Efficiency
- High Lumen Output
- Flexible Circuit Design

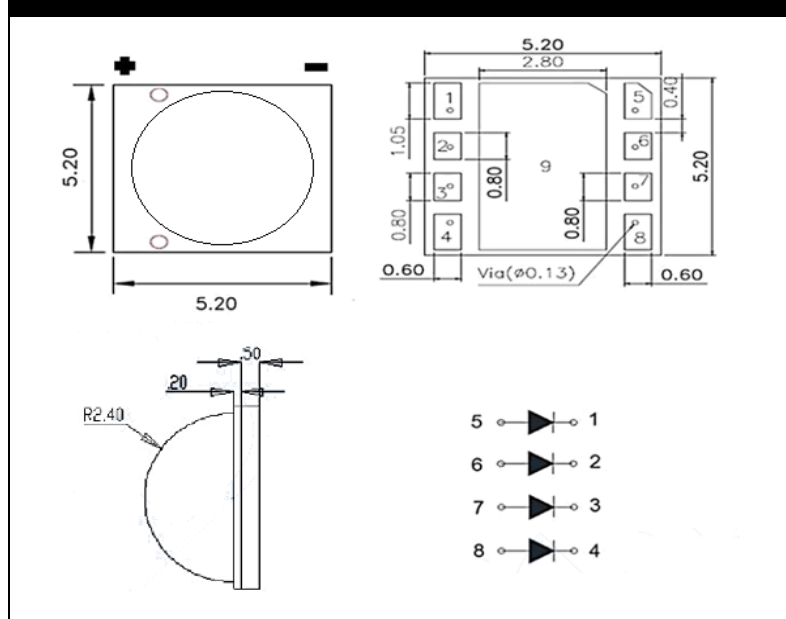
Applications:

- Stage Lighting
- Commercial Lighting
- Decorative Lighting
- Wall Washer
- Architectural Lighting

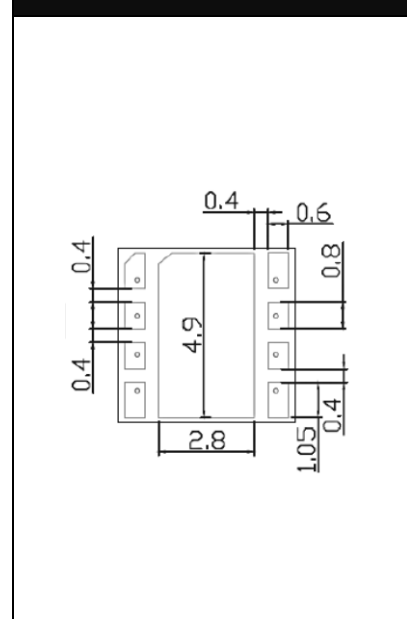
Colour Electrical & Optical Characteristics (typ. at 350mA)

Order Code	Colour	CCT (K) / WL (nm)	$2\theta_{1/2}$ (°)	Φ_V (lm)	V_F (V)	I_F (mA)
NOM04S54	CW/R/G/B	6700K/625/525/460	120	120/60/120/20	3/2/3/3	350*4
NOM19S94	CW/R/G/B	6000K/625/520/460	125	95/40/70/20	3/2/3/3	350*4
NOM23S10	NW/R/G/B	4000K/625/520/460	125	85/40/70/20	3/2/3/3	350*4
NOM19S96	WW/R/G/B	2900K/625/520/460	125	75/40/70/20	3/2/3/3	350*4
NOM15S65	A/R/G/B	605/625/525/460	125	35/30/60/20	2/2/3/3	350*4
NOM04S77	Y/R/G/B	590/625/525/460	125	40/30/60/20	2/2/3/3	350*4

Package Dimensions (mm)

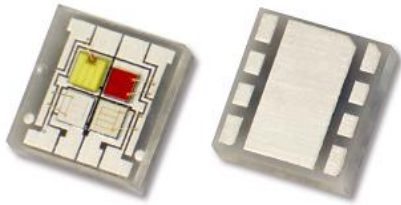


Recommended Solder Pattern



Ceramic LED

5252 4W WRGB/ARGB/YRGB Flat Lens



Features:

- High Power LED
- Top View
- AlN Ceramic Package
- Multi Colours
- Compatible Package
- High Efficiency
- High Lumen Output
- Flexible Circuit Design

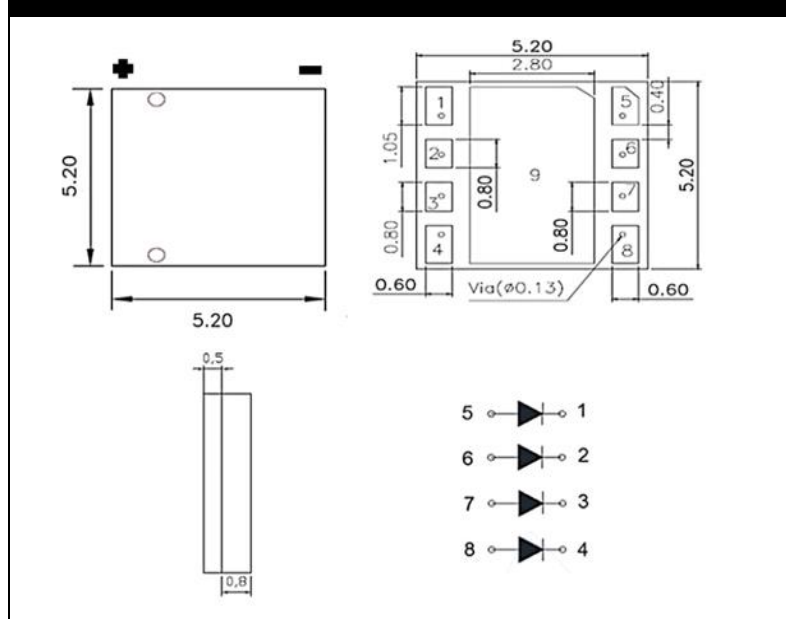
Applications:

- Stage Lighting
- Commercial Lighting
- Decorative Lighting
- Wall Washer
- Architectural Lighting

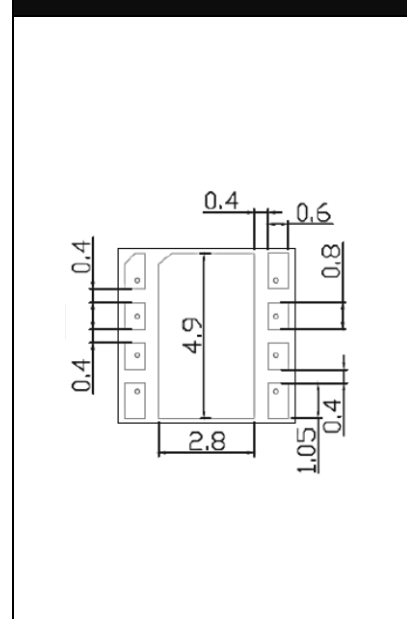
Colour Electrical & Optical Characteristics (typ. at 350mA)

Order Code	Colour	CCT (K) / WL (nm)	$2\theta_{1/2}$ (°)	Φ_V (lm)	V_F (V)	I_F (mA)
NOM04S53	CW/R/G/B	6700K/625/525/460	130	75/40/75/18	3/2/3/3	350*4
NOM19S93	CW/R/G/B	6000K/625/520/460	135	95/40/70/20	3/2/3/3	350*4
NOM23S11	NW/R/G/B	4000K/625/520/460	135	85/40/70/20	3/2/3/3	350*4
NOM19S95	WW/R/G/B	2900K/625/520/460	135	75/40/70/20	3/2/3/3	350*4
NOM15S66	A/R/G/B	605/625/525/460	130	35/30/60/20	2/2/3/3	350*4
NOM04S78	Y/R/G/B	590/625/525/460	135	40/30/60/20	2/2/3/3	350*4

Package Dimensions (mm)



Recommended Solder Pattern





BRIGHTTEK

BRIGHTTEK (EUROPE) LIMITED

Brightek (Europe) Limited

5 Cochrane House, Admirals Way

London E14 9UD United Kingdom

Tel: +44 20 8776 3507

Email: sales@brightekeurope.com

www.brightekeurope.com

Our products are distributed by:

