



**BRIGHTTEK**  
**BRIGHTTEK (EUROPE) LIMITED**

*Brighten Up The World With LED!*



ISO/TS 16949:2009



BS EN ISO 14001:2004



QC 080000 IECQ HSPM

## PRODUCT DATASHEET

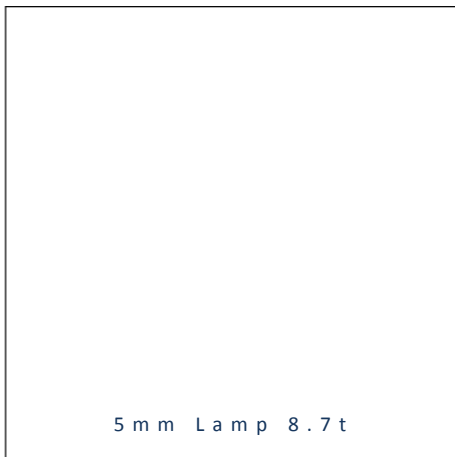


- ▶ PTH Lamp
- ▶ 5mm Round 8.7t
- ▶ Green (527nm)

**N0G26L53 (Bulk)**  
**N0G26L53T (Taping)**



Release Date: 04 February 2016 Version: A1.0



5 m m L a m p 8 . 7 t

### 5mm Lamp 8.7t

**RoHS**  
Compliant



#### FEATURES:

- **Package:** Water Clear 5mm Round PTH Lamp
- **Forward Current:** 20mA
- **Forward Voltage (typ.):** 3.2V
- **Luminous Intensity (typ.):** 11000mcd
- **Colour:** Green
- **Wavelength:** 527nm
- **Viewing angle:** 40°
- **Materials:**
  - Die: InGaN
  - Resin: Epoxy (Water Clear)
  - L/F Finish: Ag Plating
- **Operating Temperature:** -40~+85°C
- **Storage Temperature:** -40~+100°C
- **Grouping parameters:**
  - Forward voltage
  - Luminous intensity
  - Wavelength
- **Soldering methods:** Hand; Wave soldering
- **Preconditioning:** acc. to JEDEC Level 3
- **Packing:** 500pcs/Bulk; 2000pcs/Taping

#### APPLICATIONS:

- Indicator
- Indoor Lighting
- Decorative Lighting
- Consumer Goods
- Switch
- Display

**CHARACTERISTICS:**

## Absolute Maximum Characteristics (Ta=25°C)

Parameter	Symbol	Ratings	Unit
Forward Current	$I_F$	30	mA
Peak Forward Current Duty 1/10, width 0.1ms	$I_{FP}$	100	mA
Reverse Voltage	$V_R$	5	V
Reverse Current @5V	$I_R$	10	$\mu$ A
Power Dissipation	$P_D$	100	mW
Electrostatics Discharge (HBM)	ESD	1000	V
Operating Temperature	$T_{OPR}$	-40~+85	°C
Storage Temperature	$T_{STG}$	-40~+100	°C
Junction Temperature	$T_j$	110	°C

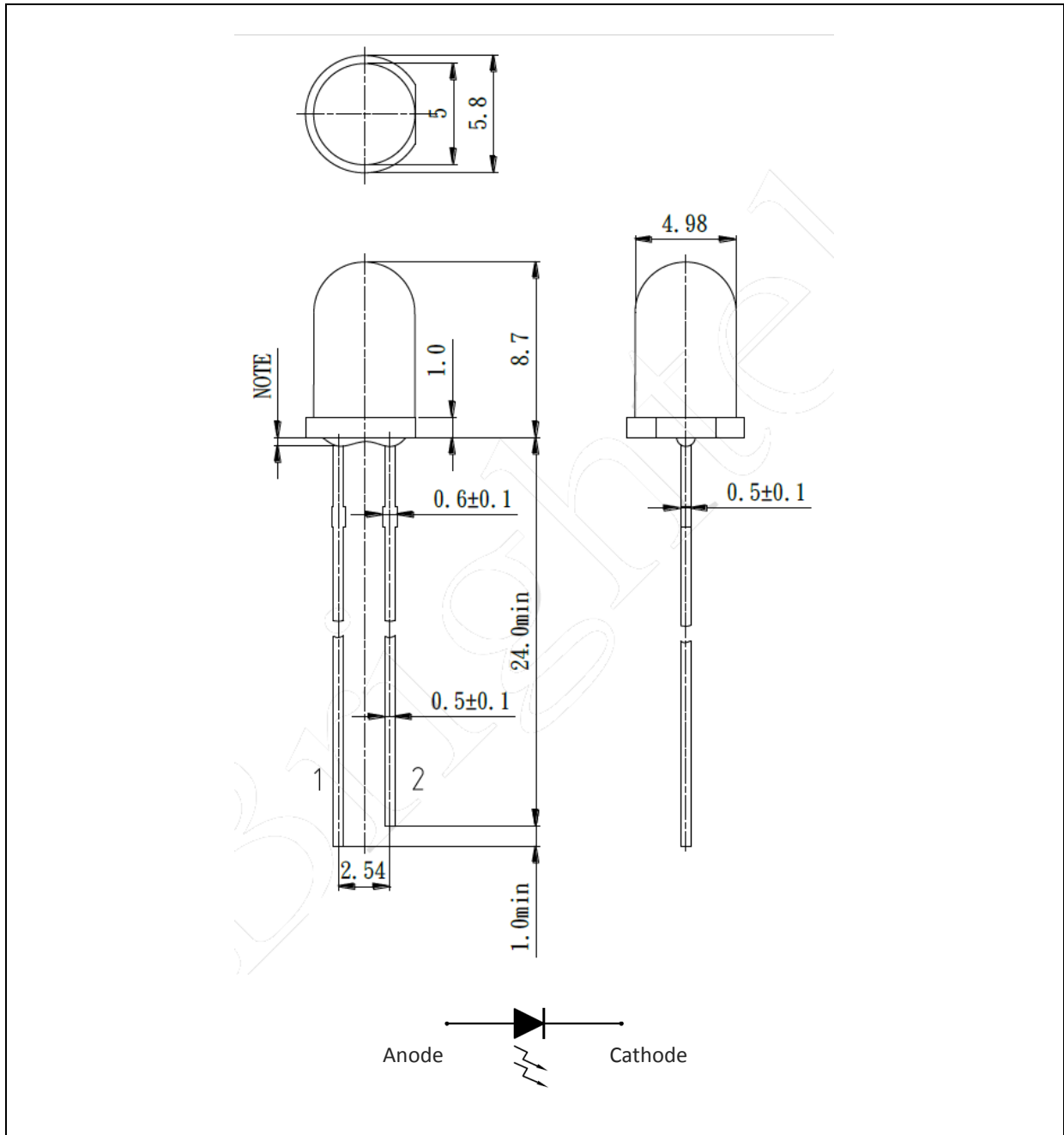
## Electrical &amp; Optical Characteristics (Ta=25°C)

Parameter	Symbol	Values			Unit	Test Condition
		Min.	Typ.	Max.		
Forward Voltage	$V_F$	2.8	3.2	3.6	V	$I_F=20mA$
Luminous Intensity	$I_V$	8200	11000	23400	mcd	$I_F=20mA$
Dominant Wavelength	$\lambda_D$	520	527	535	nm	$I_F=20mA$
Viewing Angle	$2\theta_{1/2}$	---	40	---	deg	$I_F=20mA$

1. Luminous Intensity ( $I_V$ )  $\pm 10\%$ , Forward Voltage ( $V_F$ )  $\pm 0.1V$ , Dominant Wavelength ( $\lambda_D$ )  $\pm 1nm$

**OUTLINE DIMENSION:**

Package Dimension:



1. All dimensions are in millimetre (mm).
2. Tolerance  $\pm 0.3$ mm, unless otherwise noted.

**BINNING GROUPS:**


---

 Forward Voltage Classifications ( $I_F = 20\text{mA}$ ):

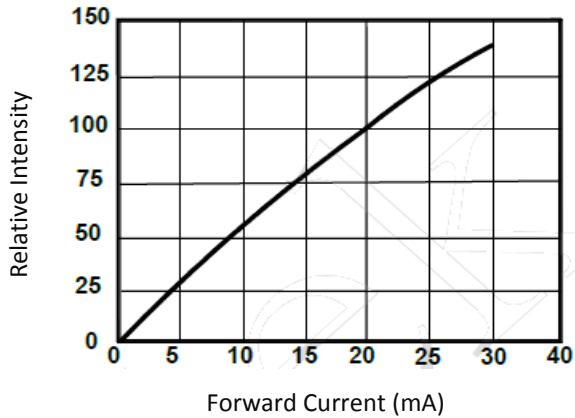
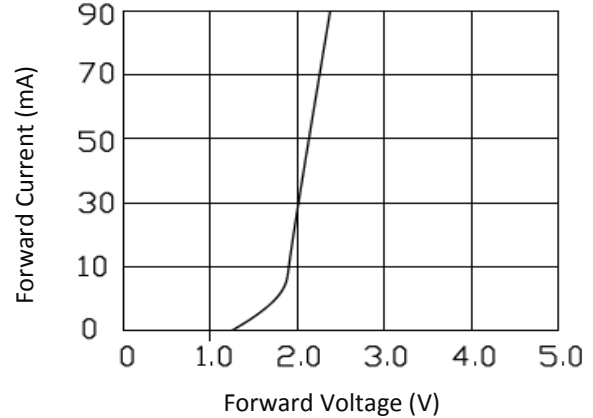
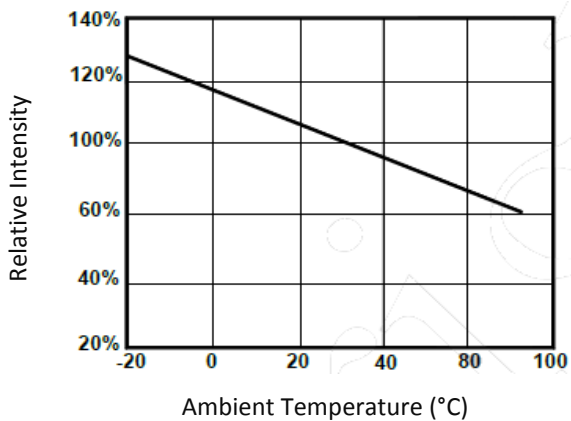
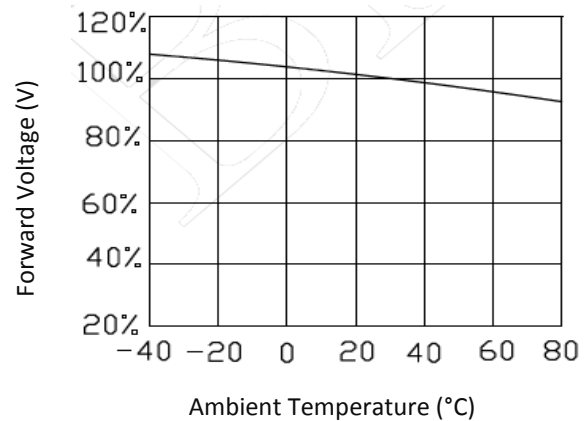
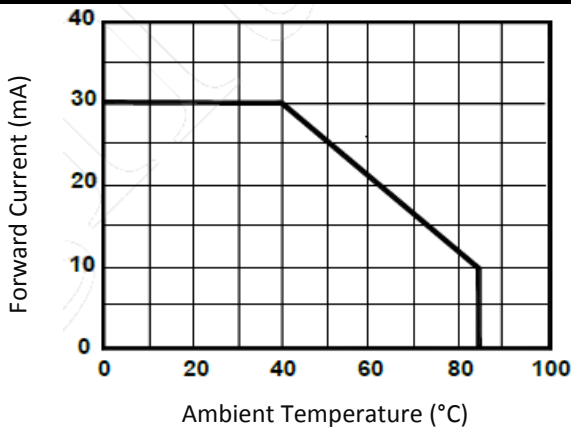
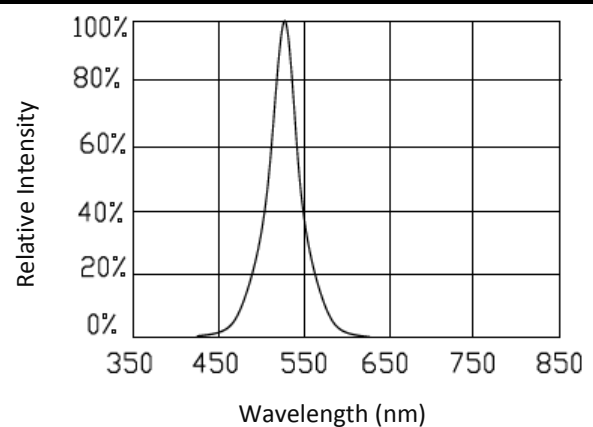
Code	Min.	Max.	Unit
B	2.8	3.0	V
C	3.0	3.2	
D	3.2	3.4	
E	3.4	3.6	
F	3.6	3.8	

 Radiant Intensity Classifications ( $I_F = 20\text{mA}$ ):

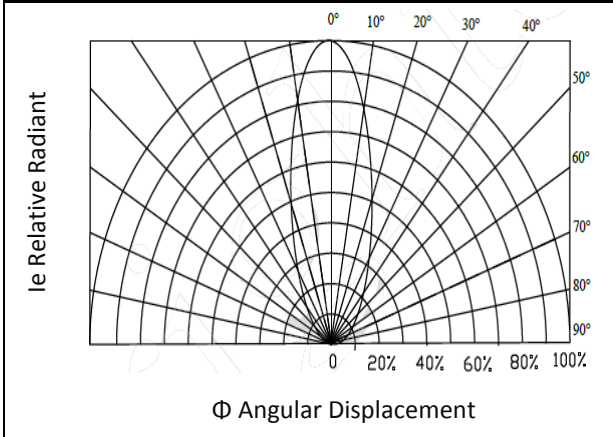
Code	Min.	Max.	Unit
26	8200	10600	mcd
27	10600	13800	
28	13800	18000	
29	18000	23400	

 Wavelength Classifications ( $I_F = 20\text{mA}$ ):

Code	Min.	Max.	Unit
G	520	525	nm
H	525	530	
I	530	535	

**ELECTRO-OPTICAL CHARACTERISTICS:**
**Relative Intensity v.s. Forward Current**

**Forward Current v.s. Forward Voltage**

**Relative Intensity v.s. Temperature**

**Forward Voltage v.s. Temperature**

**Temperature Derating Chart**

**Forward Current v.s. Temperature**


### Relative Intensity v.s. Angular Displacement



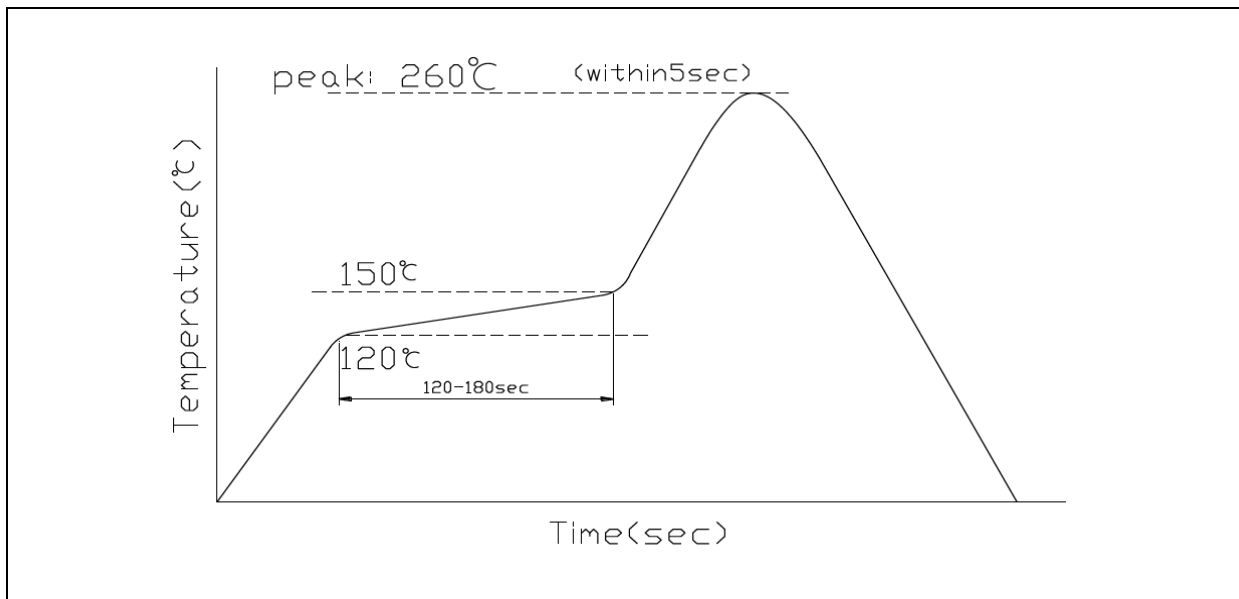
## RECOMMENDED SOLDERING PROFILE:

---

### Hand Solder (Solder Iron):

- Temperature at tip of iron: 300°C Max. (25W Max.).
- Soldering Time: 3 seconds  $\pm$  1 sec.
- Maximum reflow soldering: 1 time.

### Wave Solder:

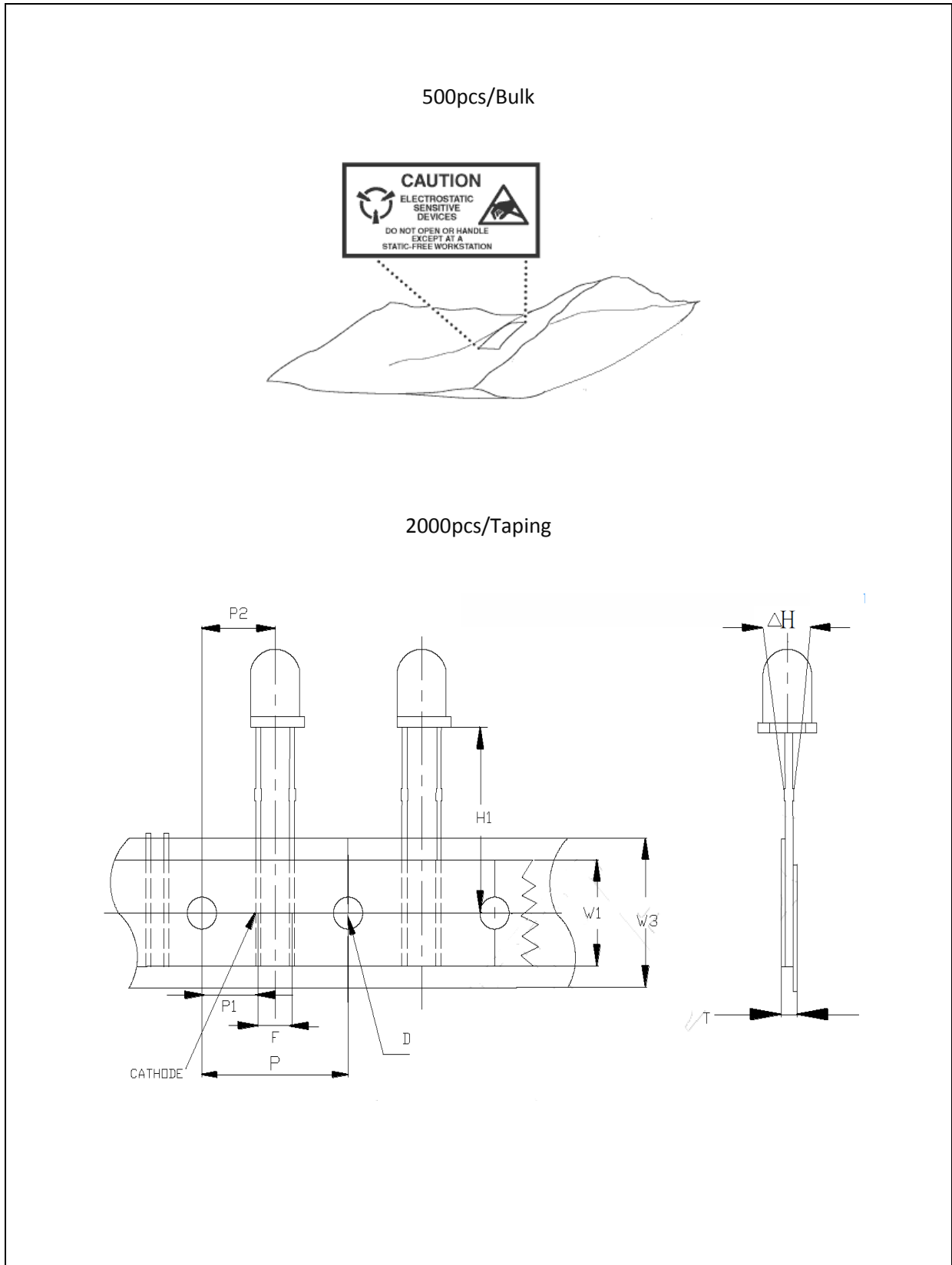


### Note:

1. Maximum reflow soldering: 1 time.
2. Before, during, and after soldering, should not apply stress on the components and PCB board.

**PACKING SPECIFICATION:**

Reel Dimension:





## PRECAUTIONS OF USE:

---

### Storage:

It is recommended to store the products in the following conditions:

- Humidity: 60% R.H. Max.
- Temperature: 5°C~30°C (41°F ~86°F).

Shelf life in sealed bag: 12 month at 5°C~30°C and <60% R.H.

Once the package is opened, the products should be used within a week. Otherwise, they should be kept in a damp-proof box with desiccating agent and apply baking at 60°C±5°C for 15hrs before use.

### Baking:

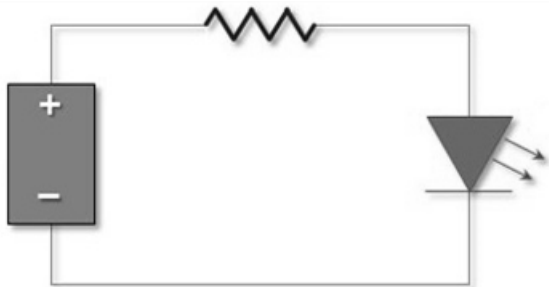
It is recommended to bake the LED before soldering if the pack has been unsealed for longer than 24hrs.

The suggested baking conditions are as followings:

- 70±3°C x 24hrs and <5%RH, taped / reel package.
- 100±3°C x 2hrs, bulk (loose) package.
- 130±3°C x 30min, bulk (loose) package.

It's normal to see slight color fading of carrier (light yellow) after baking in process.

### Testing Circuit:



Must apply resistor(s) for protection (over current proof).

### Cleaning:

Use alcohol-based cleaning solvents such as isopropyl alcohol to clean the LED carrier / package. Avoid putting any stress force directly on to the LED lens.

### ESD (Electrostatic Discharge):

Static Electricity or power surge will damage the LED. Use of a conductive wrist band or anti-electrostatic glove is recommended when handling the LED all time. All devices, equipment, machinery, work tables, and storage racks must be properly grounded.

In the events of manual working in process, make sure the devices are well protected from ESD at any time.

**REVISION RECORD:**

---

Version	Date	Summary of Revision
A1.0	04/02/2016	Datasheet set-up.